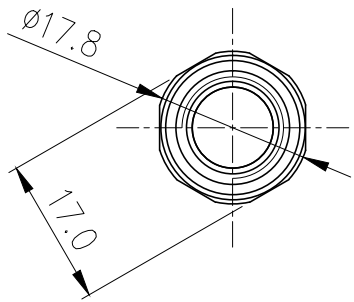
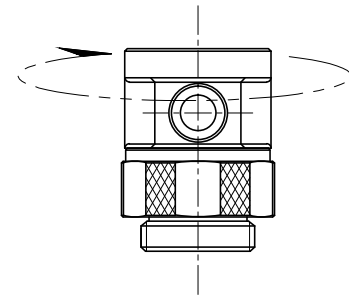
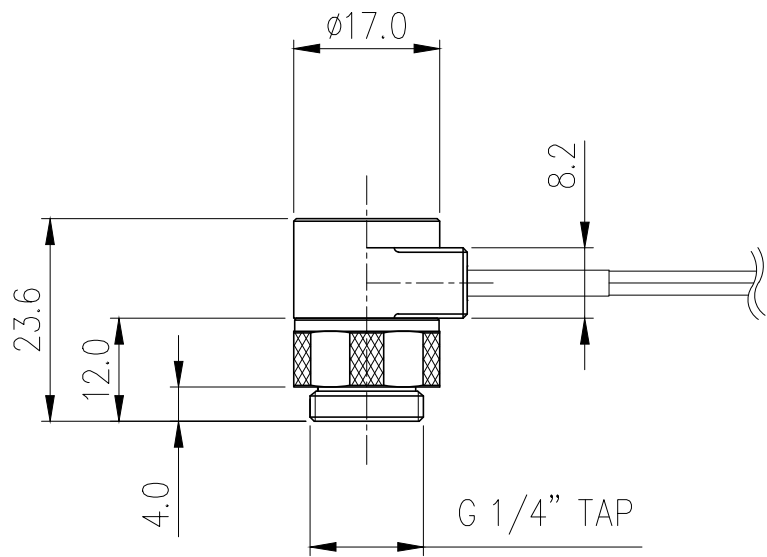
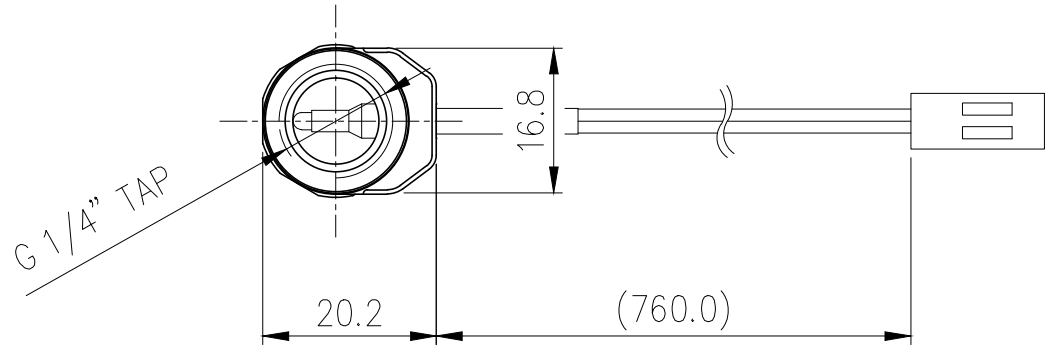




Coolant thermistor temperature sensor within a swiveling brass body. Male and female G 1/4 BSPP threads are provided on either end. Wire length = 30" (76cm). NOTE: This sensor will only work with Koolance products which use 10K Ohm @25°C sensors (first introduced in 2011).

General	
Weight	0.13 lb (0.06 kg)
Fitting Thread	G 1/4 BSPP
Materials	Nickel-Plated Brass, EPDM
Max Pressure @ 25°C	8kgf/cm2 (113.8psi)



NO.	DESCRIPTION	MATER'L		QUANTITY	REMARKS
	<b>KOOLANCE</b>	UNIT	MM	PART NO.	SEN-TP010MFG
		SCALE	N/S	TITLE	Ass'y
DATE	BY	BY	BY	3RD ANGLE	
05/31/2017	S.J.LEE			DWG. NO.	ITEM