

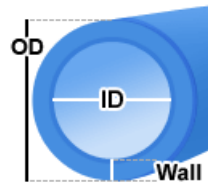
QD3H Male Quick Disconnect No-Spill
 Coupling, Panel Barb for ID 10mm (3/8in),
 Stainless Steel



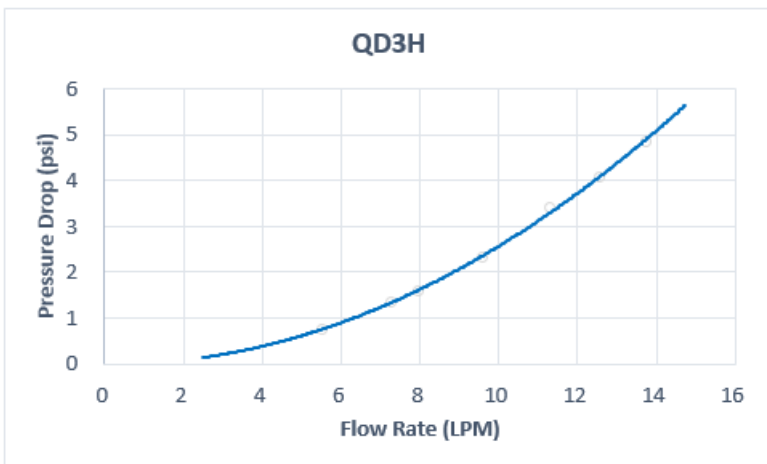
Koolance patented quick disconnect no-spill coupling with automatic shutoff. 10mm (3/8in) ID male panel-mountable hose barb with clamp for 13mm (1/2in) OD. It will only fit a Koolance QD3H female quick disconnect.

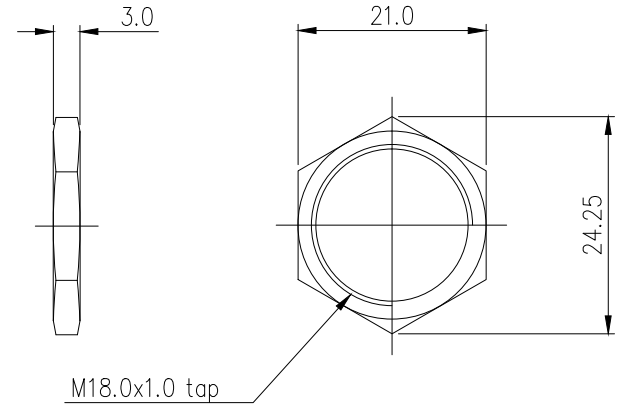
After pulling the ring on the female QDC side, the quick-disconnect fittings will separate. Liquid on both sides will be automatically obstructed with approximately 0.2ml freed. Coolant volume lost upon disconnection will rise with internal pressure higher than 10kgf/cm² (142psi).

Intended Tubing Size
 ID: 10mm (3/8")
 OD: 13mm (1/2")
 Wall: 1.5mm (1/16")

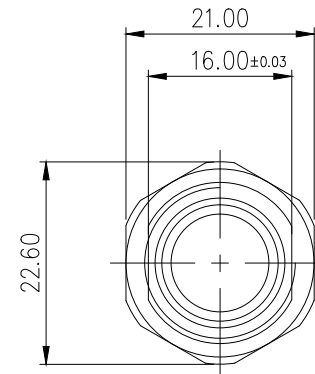
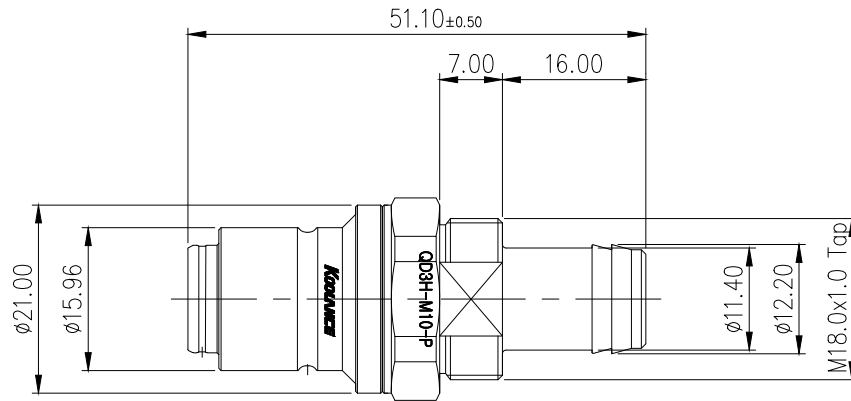


General	
Weight	0.13 lb (0.06 kg)
Materials	SUS 316, EPDM
Max Pressure @ 25°C	12kgf/cm ² (170.7psi)
Max Temperature	100°C (212°F)





NUT DIMENSION



REV	DATE	CONTENTS	APPD BY

NO.	DESCRIPTION	MATER'L	QUANTITY	REMARKS
		UNIT	MM	PART NO. QD3H-M10-P
		SCALE	N/S	TITLE
		DATE	3RD ANGLE	DIMENSION
	song		DWG. NO.	ITEM
				QD3H