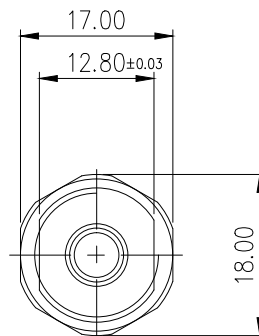
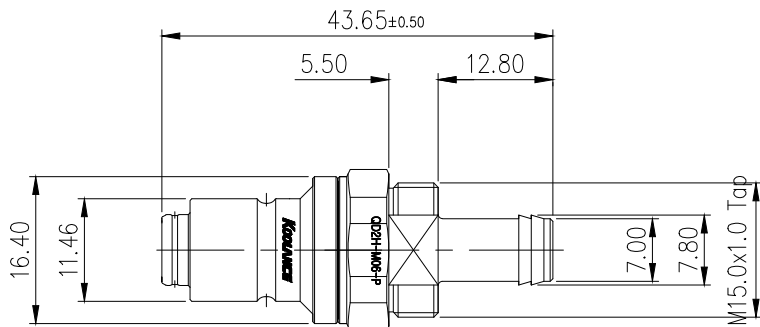


NUT DIMENSION



REV	DATE	CONTENTS	APPD BY

NO.	DESCRIPTION	MATER'L		QUANTITY	REMARKS
		UNIT	MM	PART NO. QD2H-M06-P	
		SCALE	N/S	TITLE	
		3RD ANGLE			DIMENSION
	song	DWG. NO.			ITEM
					QD2H