

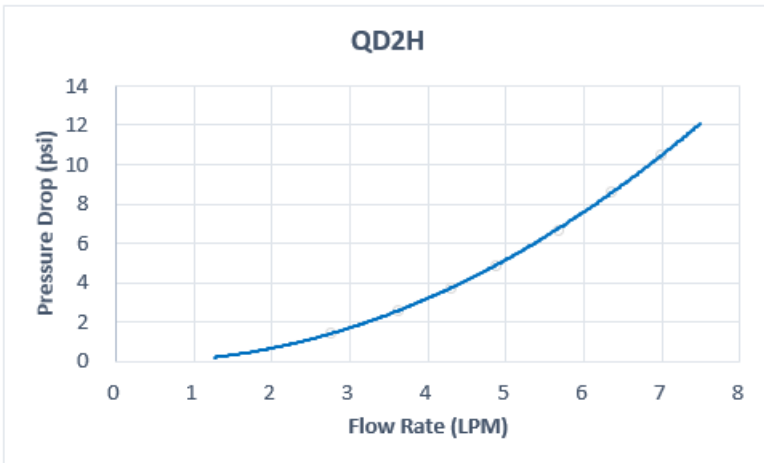
QD2H Female Quick Disconnect No-Spill
 Coupling, Male Threaded G 1/4 BSPP



Koolance patented quick disconnect no-spill coupling with automatic shutoff. G 1/4 BSPP (parallel) thread female fitting for screwing directly into a water block or other component. It will only fit a Koolance QD2H male quick disconnect.

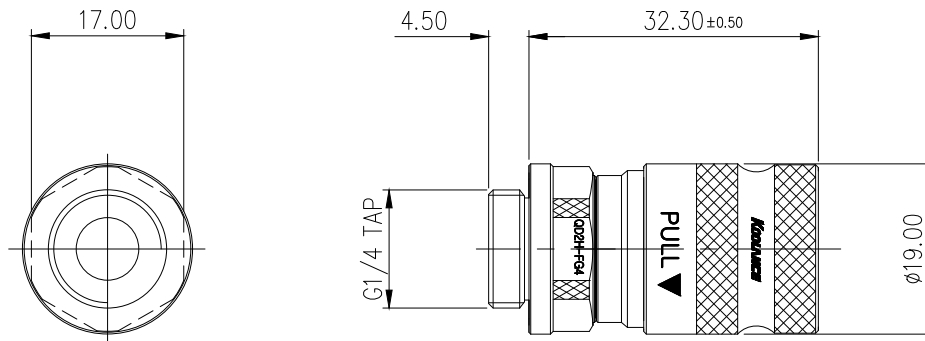
After pulling the ring on the female QDC side, the quick-disconnect fittings will separate. Liquid on both sides will be automatically obstructed with approximately 0.2ml freed. Coolant volume lost upon disconnection will rise with internal pressure higher than 10kgf/cm2 (142psi).

General	
Weight	0.08 lb (0.04 kg)
Fitting Thread	G 1/4 BSPP
Materials	Nickel-Plated Brass, Stainless Steel, EPDM
Max Pressure @ 25°C	12kgf/cm2 (170.7psi)
Max Temperature	100°C (212°F)






Arbel Agencies LTD.
11 Ba'alei Hamelacha st. Qiryat Bialik P.O.B 1095, ZIP 2751311, ISRAEL
+972(0)48736969 ☎ +972(0)48730708 📠 info@arbel-ltd.com ✉ www.arbel-ltd.com 🌐



REV	DATE	CONTENTS	APPD BY
REVISION			

NO.	DESCRIPTION	MATER'L	QUANTITY	REMARKS
		UNIT	MM	PART NO. QD2H-FG4
		SCALE	N/S	TITLE
DATE	BY	BY	BY	BY
3RD ANGLE				DIMENSION
DWG. NO.			ITEM	QD2H