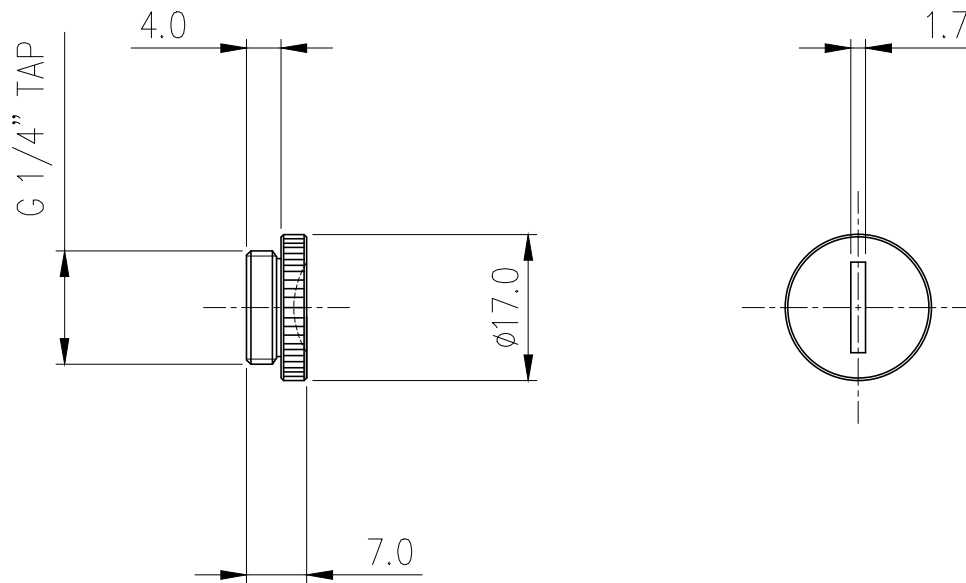




Fitting socket plug for G 1/4 BSPP Koolance threaded connections. Made of brass.

General	
Weight	0.03 lb (0.01 kg)
Fitting Thread	G 1/4 BSPP
Max Pressure Tolerance @ 25°C	15kgf/cm2 (213.4psi)
Max Temperature Tolerance	120°C (248°F)
Wetted Materials	Brass, EPDM



NO.	DESCRIPTION	MATER'L		QUANTITY	REMARKS
	KOOLANCE	UNIT	MM	PART NO.	SCR-CP003PG(-BK)
		SCALE	N/S	TITLE	
DATE	BY	BY	BY	APPRO	BY
05/02/2017	S.J.LEE				
				3RD ANGLE	
				DWG. NO.	ITEM
					Ass'y