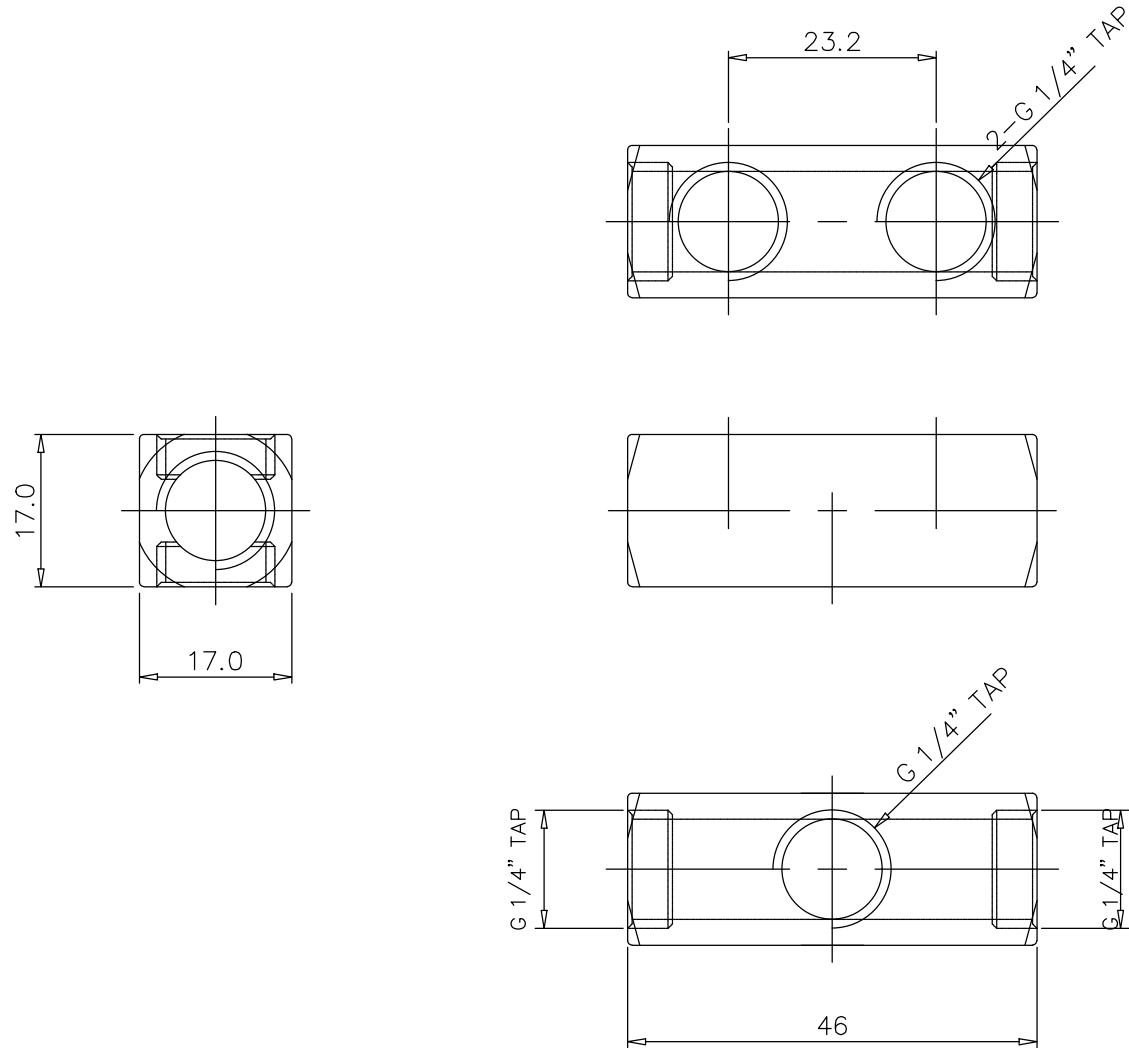




Extensible fitting bodies can be used to build such things as: splitters, tubing size adapters, drain valves, inline temperature sensors, elbow fittings, and more. This product has five G 1/4 BSPP (parallel) threads and includes two G 1/4 BSPP plugs. Made of nickel-plated brass.

General	
Weight	0.30 lb (0.14 kg)
Fitting Thread	G 1/4 BSPP
Max Pressure Tolerance @ 25°C	15kgf/cm2 (213.4psi)
Max Temperature Tolerance	120°C (248°F)



NO.	DESCRIPTION				MATER'L		QUANTITY	REMARKS
					UNIT	MM	PART NO. SPL-XUFY5B	TITLE
					SCALE	N/S		
DATE	BY	BY	BY	APPRO	BY	3RD ANGLE	ITEM	
2020.01.03	S.J.LEE					DWG. NO.		

**Arbel Agencies LTD.**

11 Ba'alei Hamelacha st. Qiryat Bialik P.O.B 1095, ZIP 2751311, ISRAEL

+972(0)48736969 ☎ +972(0)48730708 📠 info@arbel-ltd.com ✉ www.arbel-ltd.com 🌐

