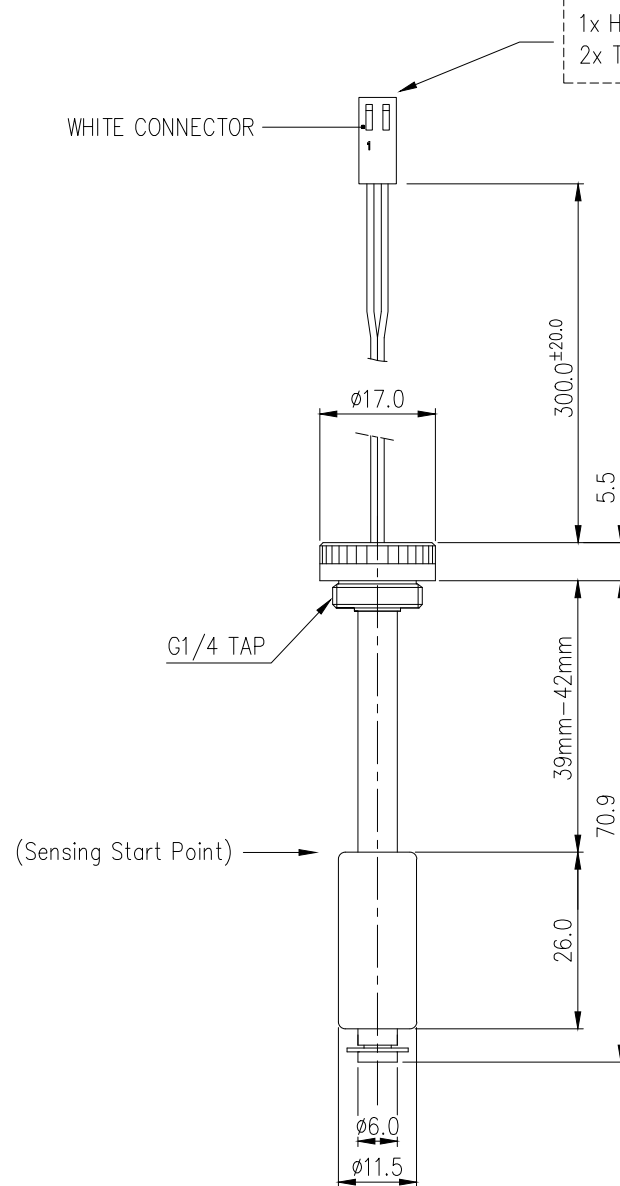




Koolance liquid level sensor with column float and 2-pin connector. Circuit is normally open until float reaches the bottom of the metal column. Total length = 77mm (3"), with 70mm (2.76") below the knurled cap. Nickel plated brass, G 1/4 BSPP threading.


NOTE: SEN-LVL70 is a magnetic reed open/close contact switch intended for signals in the 50-100mA range. It should not be used on higher power outputs like fan headers or controllers.

General	
Weight	0.08 lb (0.04 kg)
Fitting Thread	G 1/4 BSPP
Max Pressure Tolerance @ 25°C	10kgf/cm2 (142.2psi)
Max Temperature Tolerance	80°C (176°F)
Wetted Materials	Nickel-Plated Brass, Stainless Steel, PP, EPDM, SmCo5



- Momentary NO magnetic switches which activate when the float reaches their location.
- Contact Rating : 10VA max.
- Switching Voltage : DC/AC 100V max.
- Switching Current : 0.5A max.

REV	DATE	CONTENTS	REVD BY	CHKD BY	APPD BY
REVISION					

NO.	DESCRIPTION	MATER'L	QUANTITY	REMARKS
		UNIT	MM INCH	APPAR SEN-LVL70
		SCALE	N/S	TITLE
DATE	BY	BY	BY	BY
APR.20.2021	S.J.LEE			
3RD ANGLE			CODE NO.	DWG. NO.
70mm, 1 LEVEL SENSOR DIM				