



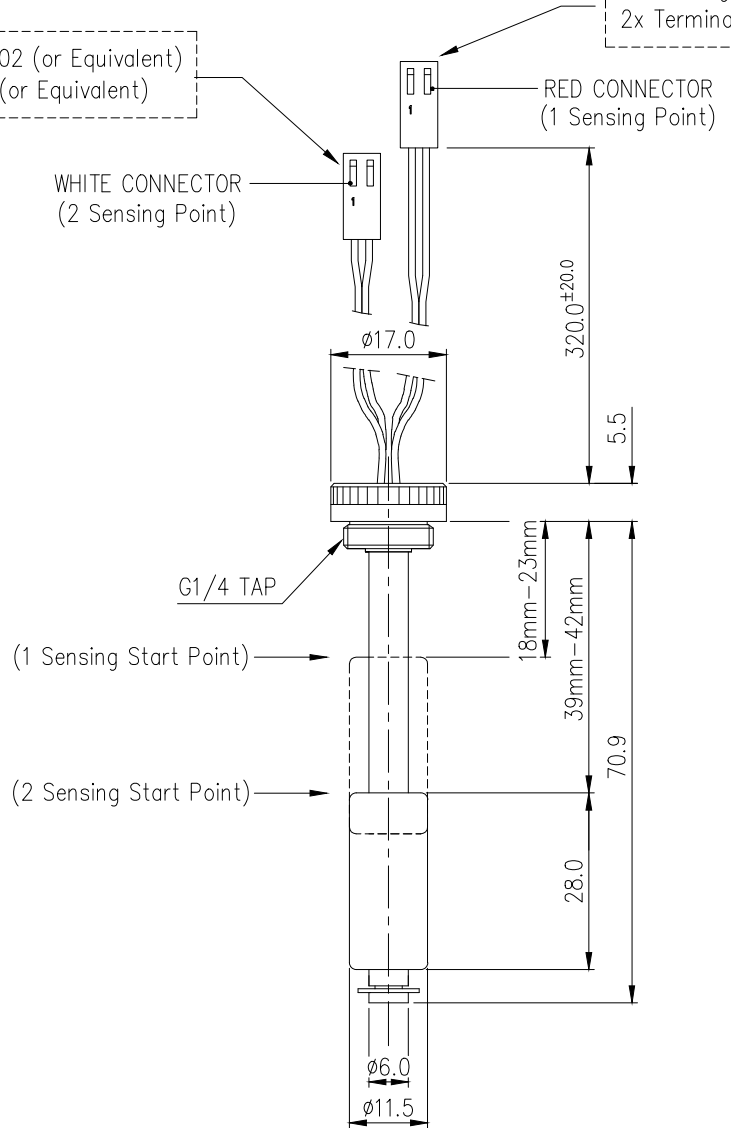
Koolance liquid dual level sensor with column float and two 2-pin connectors. Circuits are normally open until float reaches the middle (red connector) and bottom (white connector) of the metal column. Total length = 77mm (3"), with 70mm (2.76") below the knurled cap. Nickel plated brass, G 1/4 BSPP threading.

NOTE: SEN2-LVL70 has two magnetic reed open/close contact switches intended for signals in the 50-100mA range. It should not be used on higher power outputs like fan headers or controllers.

General	
Weight	0.08 lb (0.04 kg)
Fitting Thread	G 1/4 BSPP
Max Pressure Tolerance @ 25°C	10kgf/cm2 (142.2psi)
Max Temperature Tolerance	80°C (176°F)
Wetted Materials	Nickel-Plated Brass, Stainless Steel, PP, EPDM, SmCo5

1x Housing : Molex 5051-02 (or Equivalent)  
 2x Terminal : Molex 5159 (or Equivalent)

1x Housing : Molex 5051-02 (or Equivalent)  
 2x Terminal : Molex 5159 (or Equivalent)



- Momentary NO magnetic switches which activate when the float reaches their location.
- Contact Rating : 10VA max.
- Switching Voltage : DC/AC 100V max.
- Switching Current : 0.5A max.

REV	DATE	CONTENTS	REVD BY	CHKD BY	APPD BY
REVISION					

NO.	DESCRIPTION	MATER'L	QUANTITY	REMARKS
<b>KOOLANCE®</b>		UNIT	APPAR SEN2-LVL70	
SCALE		N/S		TITLE
DATE		3RD ANGLE		70mm, 2 LEVEL SENSOR DIM
APR.20.2021	S.J.LEE	CODE	NO.	DWG. NO.