

LC1211-D

AIR COMPRESSOR

LOW VOLTAGE

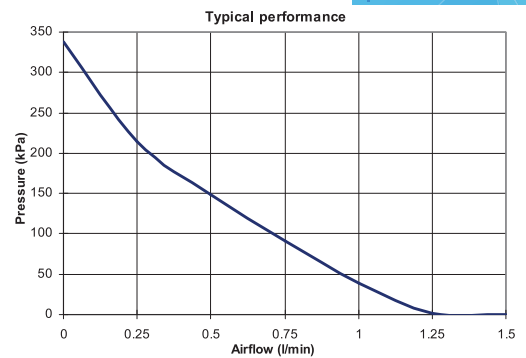


Images are for reference only

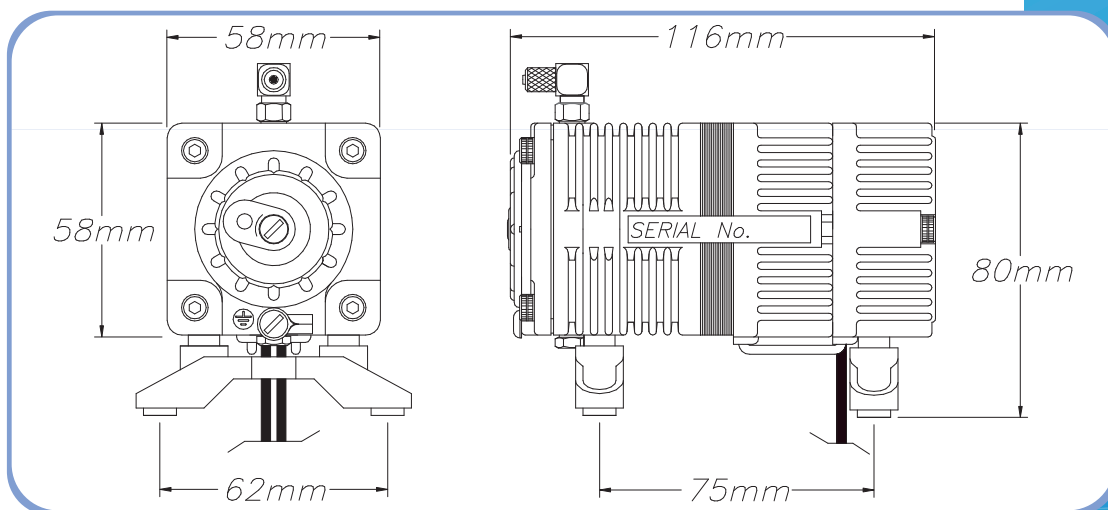
SPECIFICATIONS

Rated Voltage (s):	DC 12 Volts
Rated Pressure:	150 kPa
Rated Airflow:	0.5 l/min
Maximum Pressure:	>300kPa
Power Consumption Max (DC):	30 VA
Duty Cycle:	Continuous
Coil insulation Class:	Class F
Environmental Conditions:	0°C - 40°C & 35% - 85% RH
Mounting Dimensions:	75(L) x 62(W) mm
Unit outside dimensions:	116mm x 58mm x 58mm
Gross Weight:	815grams (1.80lbs)
Lead Wire Length:*	AWG22 (UL1015, 105°C) X 150mm
Outlet:*	4mm hose elbow adaptor.

This pump has an integral drive circuit. Connect to a suitable 12V DC supply. red to positive, black to negative. Please observe correct polarity. Failure to do so will result in damage to the pump.



*Example given. Customer determined attributes are available.
Patented and patents pending



Contact technical sales for additional information regarding life expectancy and operating conditions.
All the information in this datasheet is supplied in good Faith.
This information is given without obligation or liability.