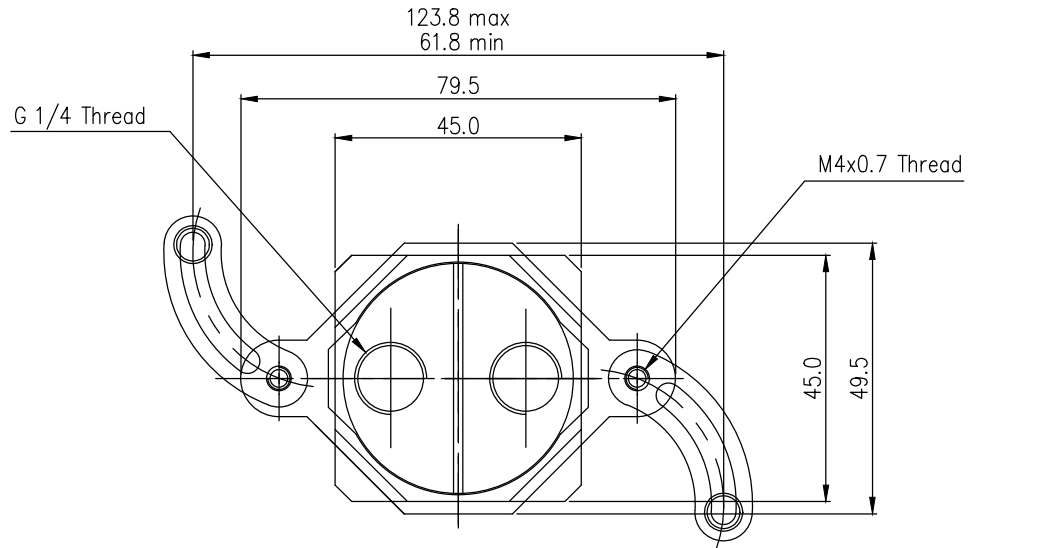
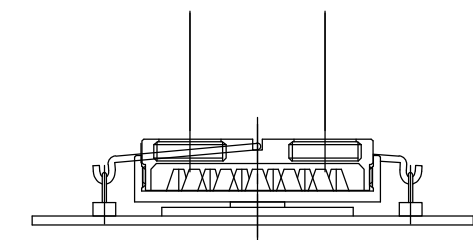
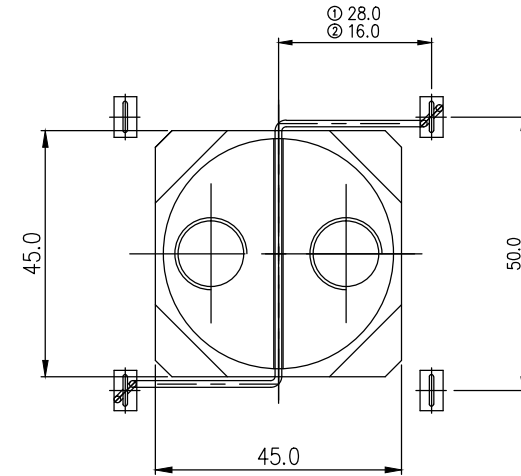


Screw Type



Pin Type



NO.	DISCRIPTION			MATER'L	QUANTITY	REMARKS
	KOOLANCE			UNIT	MM.INCH	APPAR GPU-200
	BY	BY	APPRO BY	SCALE	1:1	TITLE
DATE				3RD ANGLE		Mechanical Dimension
	AK SONG			REF. NO.		DWG. NO.

REV	DATE	CONTENTS	REVD BY	CHKD BY	APPD BY
REVISION					