

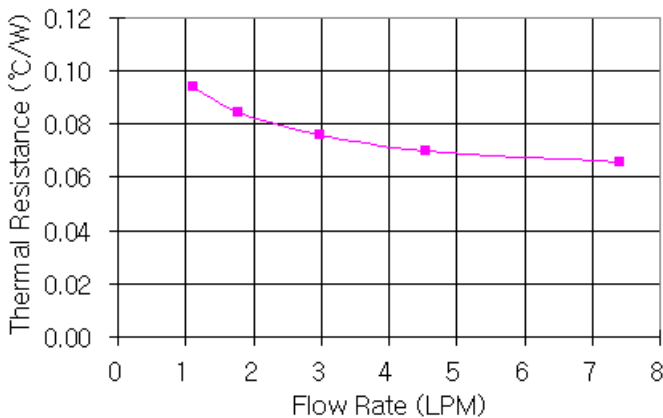


The GPU-200 is a general-purpose block with a square peg array internal structure. The cooling area footprint is 45mm x 45mm (1.8in x 1.8in). Materials include a copper cold plate, brass top, anti-corrosive nickel plating, and EPDM o-ring. G 1/4 BSPP (parallel) thread.

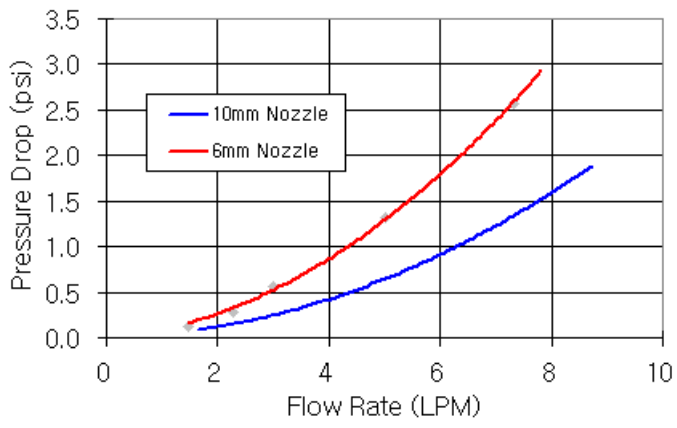
The included bracket adjusts for diagonal mounting hole distances from approximately 65mm to 124mm (2.56in to 4.9in).

Cold Plates	
Flow Resistance @ 5LPM (10-13mm ID)	0.049kgf/cm2 (0.7psi)
Thermal Resistance @ 5LPM (Approx.)	0.07°C/W
General	
Weight	0.50 lb (0.23 kg)
Fitting Thread	G 1/4 BSPP
Materials	Nickel-Plated Copper, Nickel-Plated Brass, EPDM
Max Pressure @ 25°C	10kgf/cm2 (142.2psi)
Max Temperature	100°C (212°F)

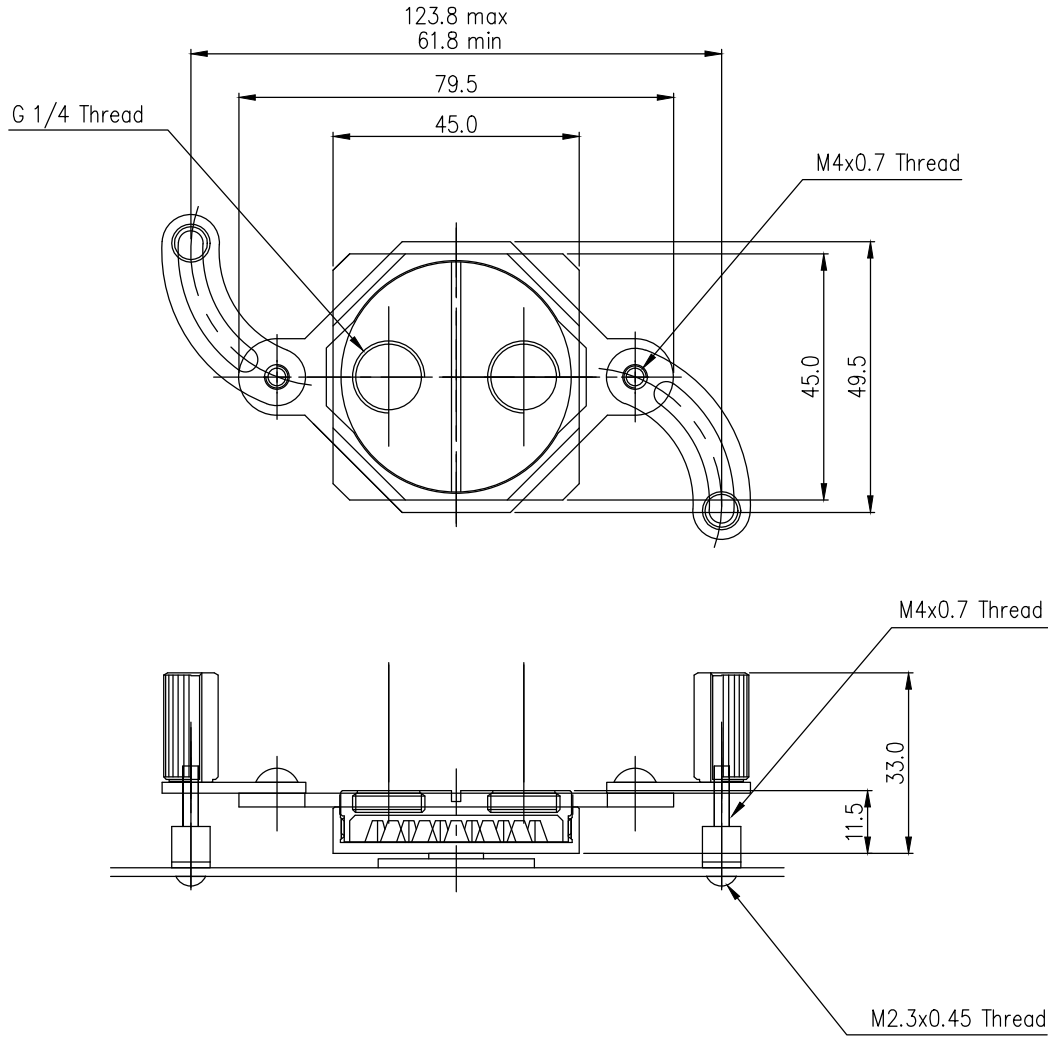
GPU-200



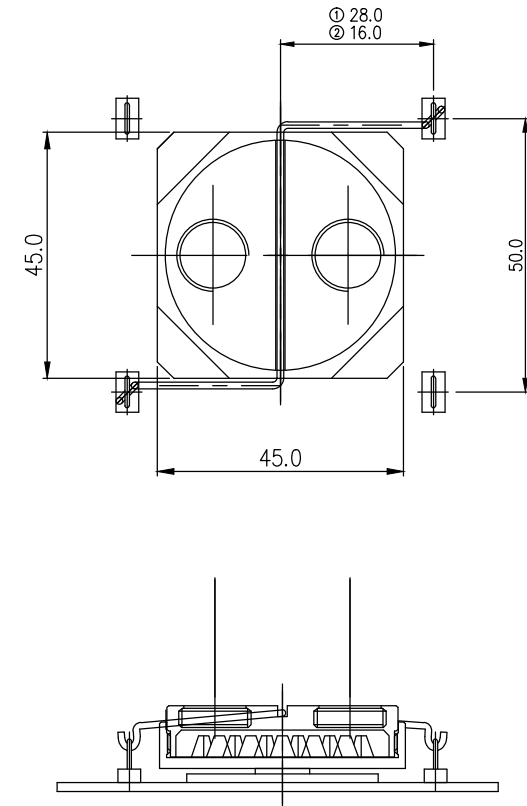
GPU-200



Screw Type



Pin Type



REV	DATE	CONTENTS	REVD BY	CHKD BY	APPD BY
REVISION					

NO.	DISCRIPTION	MATER'L	QUANTITY	REMARKS
KOOLANCE		UNIT	MM.INCH	APPAR GPU-200
		SCALE	1:1	TITLE
DATE	BY	BY	BY	3RD ANGLE
AK SONG			REF. NO.	DWG. NO.
Mechanical Dimension				