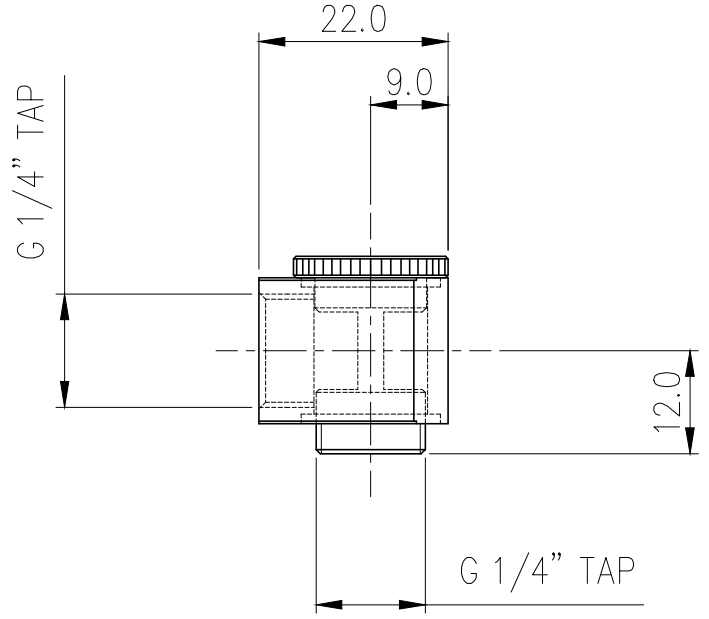
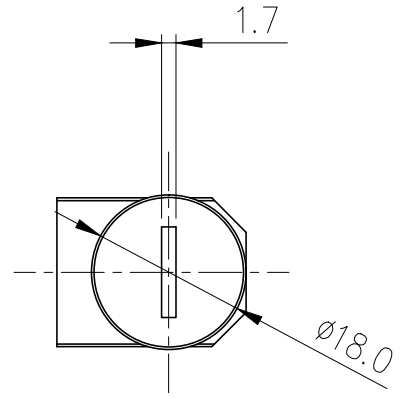
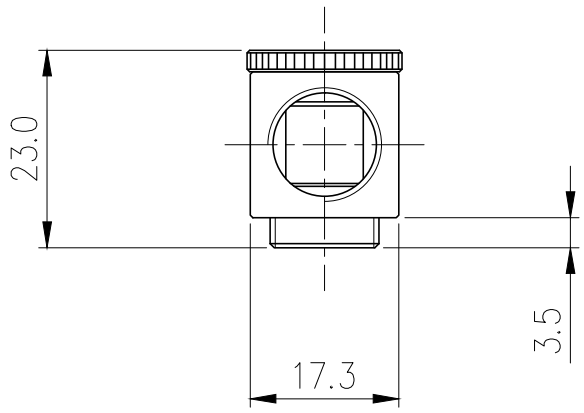




NZL-LXG2 is a special lower-profile fitting than [NZL-LXG1](#) at only 2cm (0.79") high.

Create a swiveling 90 degree elbow bend using any Koolance G 1/4 BSPP (parallel) thread fitting. For a basic elbow fitting, the [Koolance Coupling Adapter](#) could also be used. Or for maximum adjustment, consider placing two swiveling elbow fittings together. Tube fitting not included.

General	
Weight	0.09 lb (0.04 kg)
Fitting Thread	G 1/4 BSPP
Materials	Brass, Nickel Plating, EPDM
Max Pressure @ 25°C	8kgf/cm ² (113.8psi)
Max Temperature	100°C (212°F)



NO.	DESCRIPTION	MATER'L		QUANTITY	REMARKS
	KOOLANCE	UNIT	MM	APPAR	NZL-LXG2(-BK)
		SCALE	N/S	TITLE	
DATE	BY	BY	BY	BY	3RD ANGLE
04/25/2017	S.JLEE				CODE NO.
					DWG. NO.

Arbel Agencies LTD.

11 Ba'alei Hamelacha st. Qiryat Bialik P.O.B 1095, ZIP 2751311, ISRAEL

+972(0)48736969 ☎ +972(0)48730708 📠 info@arbel-ltd.com 📧 www.arbel-ltd.com 🌐

