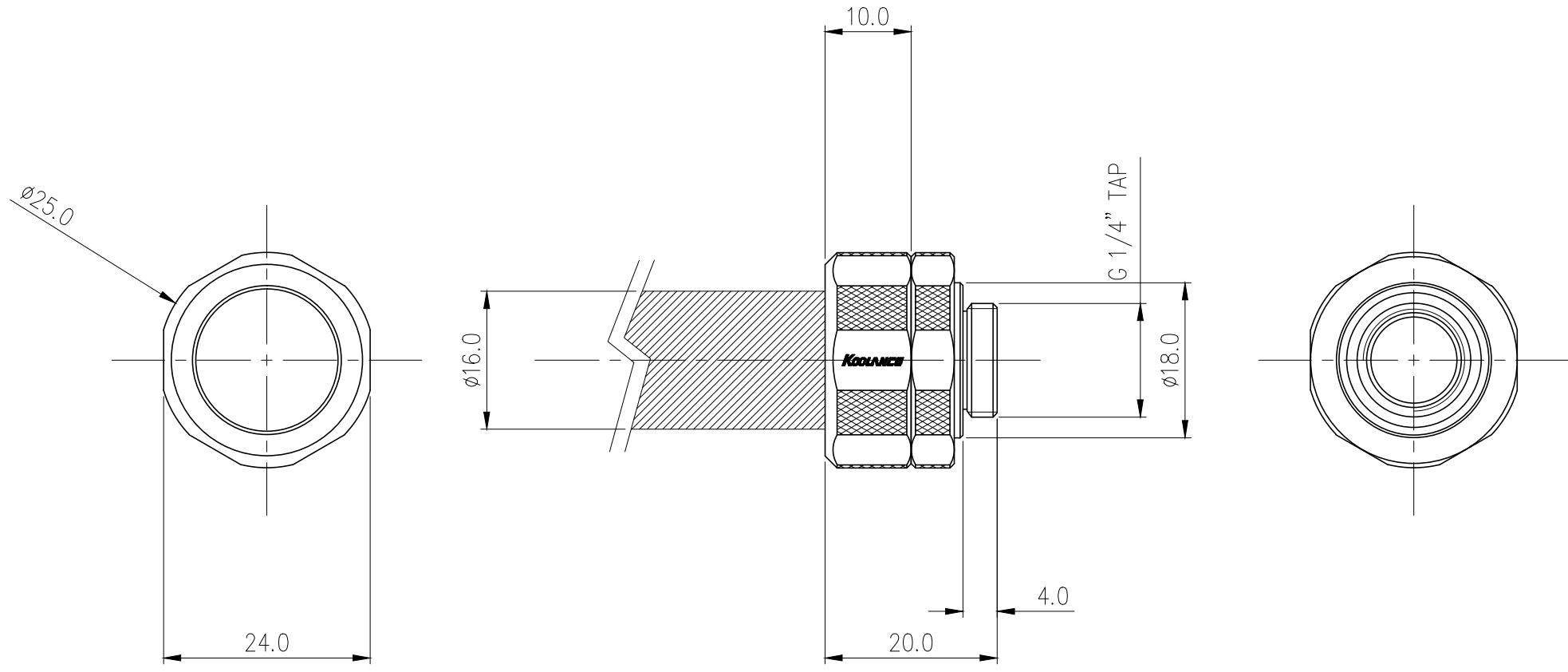




Single fitting for 16mm (5/8in) OD rigid plastic tubing. Triple internal o-ring design for superior sealing. Accepts tube outer diameters of 15.6-16.4mm. G 1/4 BSPP (parallel) thread fitting.

General	
Weight	0.09 lb (0.04 kg)
Wetted Materials	Brass, EPDM



NO.	DESCRIPTION	MATER'L	QUANTITY	REMARKS
		UNIT	MM	APPAR FIT-V16RT(-BK)
		SCALE	N/S	TITLE
DATE	BY	BY	BY	3RD ANGLE
	S.J.LEE			CODE NO.
				DWG. NO.

Ass'y