

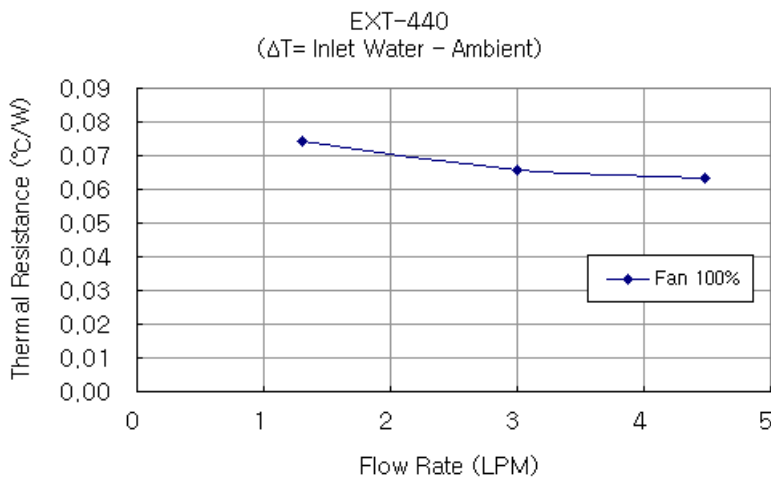
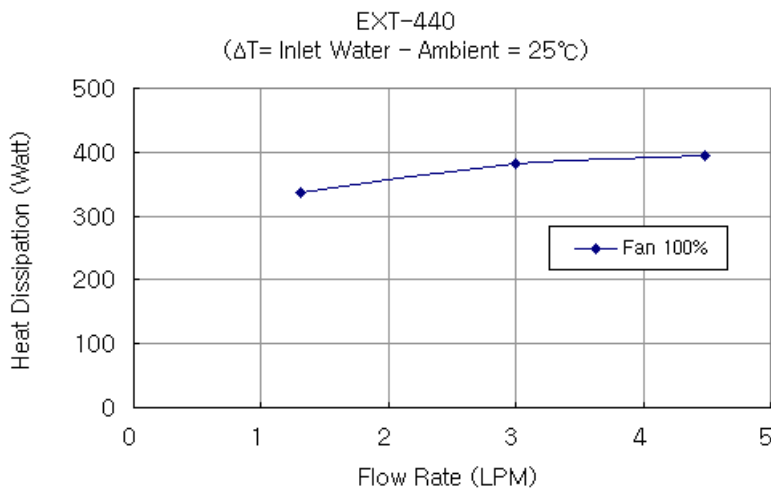
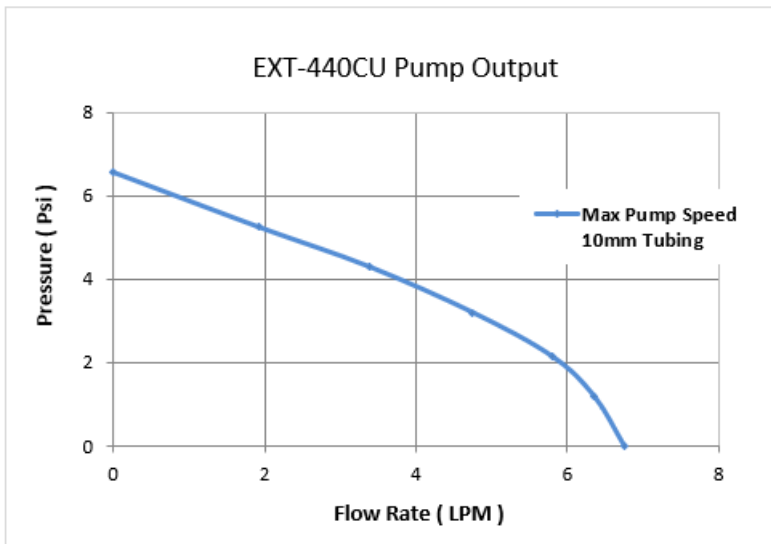


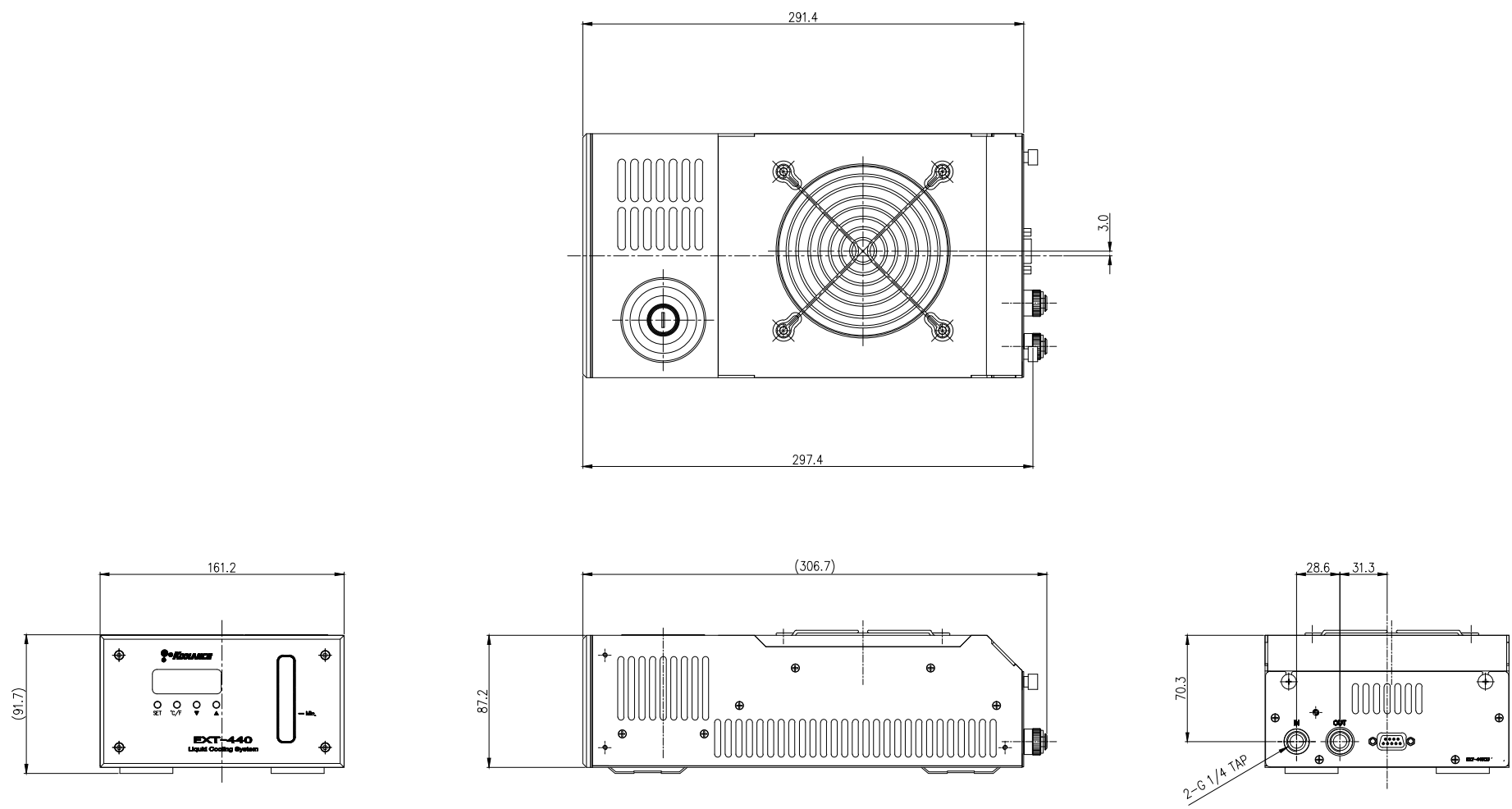
EXT-440CU is a compact ambient liquid cooling system designed with features for computer cooling. This model contains a single x 120mm fan copper/brass radiator, providing roughly 400W of cooling with a 25°C ambient delta. Just add tubing, fittings, [coolant](#), and connect to your cold plate(s).

- Reservoir capacity: 157ml (5.3 fl oz)
- G 1/4 BSPP threads on back for fittings

- Cooling capacity: 400W (1365BTU/hr) with 25°C liquid-ambient delta @ 6.5LPM
- Radiator fan speed: automatic based on temperature, or 10 manual levels
- Pump: 10 manual levels, up to 6.5LPM (1.7GPM)
- Adjust audio alarm based on 3 included temperature sensors
- Relay trigger can be adjusted based on temperature
- Power input: 12VDC (via computer Molex plug), or 110/220VAC with separate [adapter](#)

General	
Weight	5.50 lb (2.49 kg)
Fitting Thread	G 1/4 BSPP
Max Pressure Tolerance @ 25°C	2kgf/cm2 (28.5psi)
Max Temperature Tolerance	60°C (140°F)
Noise (dBA)	34-44
Cooling Systems	
Cooling Capacity	400W (1365BTU/hr) @ 25°C liquid-ambient (25°C dT)
Display Type	LED
Max Flow Rate (10-13mm ID)	6.5LPM (1.7GPM)
Max Power Consumption	18W
Max Static Pressure (10-13mm ID)	0.46kgf/cm2 (6.5psi)
Power Source	12 VDC (110/220 VAC with Separate Adapter)
Radiator	Brass/Copper, 1 x 120mm fan
Temperature Sensors	10K Thermistors





NO.	DESCRIPTION	MATER'L	QUANTITY	REMARKS
	KOOLANCE	UNIT	MM	ITEM EXT-440CU REV2.0
		SCALE	N/S	TITLE
	BY	BY	APPRO	Ass'y
	BY	BY	BY	
DATE	3RD ANGLE			
JAN.04.2019	S.J.LEE		CODE NO.	DWG. NO.
				PAGE

Arbel Agencies LTD.

11 Ba'alei Hamelacha st. Qiryat Bialik P.O.B 1095, ZIP 2751311, ISRAEL

+972(0)48736969 ☎ +972(0)48730708 📠 info@arbel-ltd.com 📧 www.arbel-ltd.com 🌐

