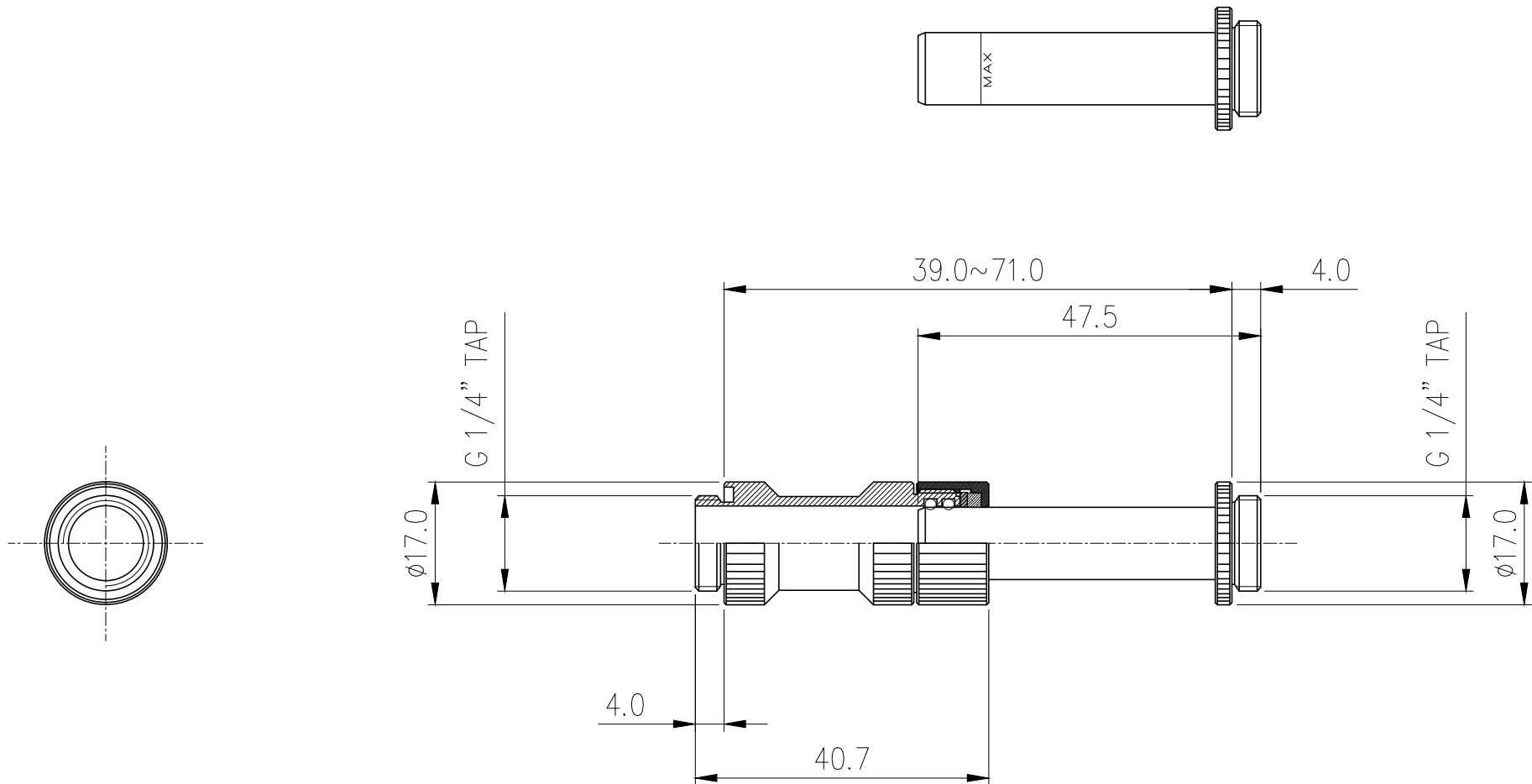




Adjustable direct connection fitting for supported Koolance VID coolers in series or parallel. CNT-VDA34-BK is for SLI or CrossFire setups that span four to five card slots (two to three in between are bypassed). Koolance VID water blocks occupy the same slot as the video card. See [this page](#) for more details.

G 1/4 BSPP threading, made of brass with compression fittings and gaskets. Will work with any hose diameter going in and out of the Koolance video coolers. To adjust, loosen the threaded center nut, slide apart, and re-tighten. Do not adjust sliding fittings beyond the marked safety line.

General	
Weight	0.11 lb (0.05 kg)
Fitting Thread	G 1/4 BSPP
Max Pressure @ 25°C	5kgf/cm2 (71.1psi)
Max Temperature	100°C (212°F)



NO.	DESCRIPTION	MATER'L		QUANTITY	REMARKS
	<b>KOOLANCE</b>	UNIT	MM	APPAR	CNT-VDA34(-BK)
	BY	BY	APPRO	SCALE	N/S
	DATE		BY	3RD ANGLE	
04/10/2017	S.J.LEE			CODE NO.	DWG. NO.