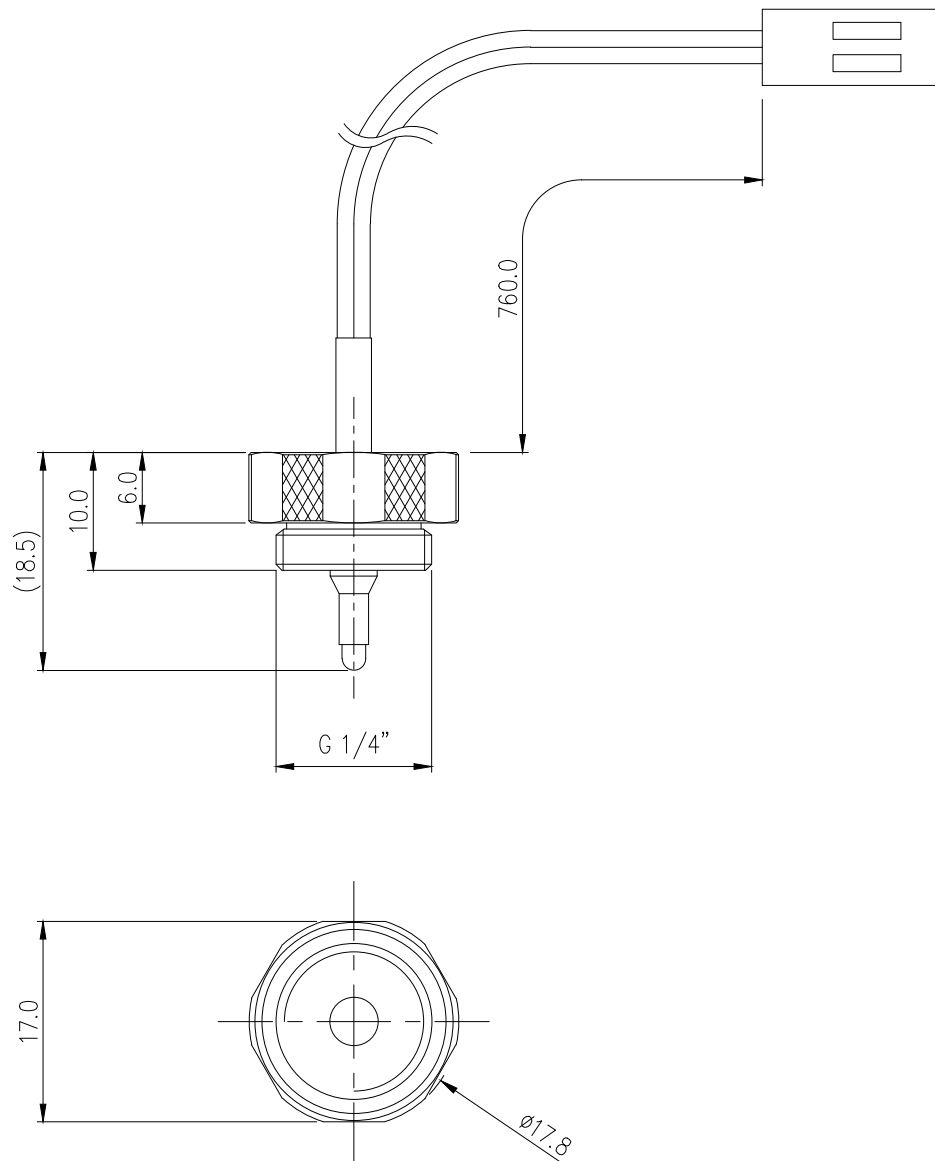


Coolant Temperature Sensor Plug, 10K Ohm



Coolant thermistor temperature sensor compatible with Koolance multi-sensor systems. Sensor fitting is G 1/4 BSPP (parallel) threaded. Wire length = 30" (76cm). NOTE: This sensor will only work with Koolance products which use 10K Ohm @25°C sensors (first introduced in 2011).

General	
Weight	0.04 lb (0.02 kg)
Fitting Thread	G 1/4 BSPP
Materials	Nickel-Plated Brass, Stainless Steel, EPDM
Max Temperature	120°C (248°F)



NO.	DESCRIPTION	MATER'L		QUANTITY	REMARKS
	KOOLANCE	UNIT	MM	ITEM	SEN-AP008G(-BK)
		SCALE	N/S	TITLE	
DATE	BY	BY	BY	APPRO	BY
				3RD ANGLE	
01/22/2019	S.J.LEE			CODE NO.	DWG. NO.
					PAGE

Arbel Agencies LTD.

11 Ba'alei Hamelacha st. Qiryat Bialik P.O.B 1095, ZIP 2751311, ISRAEL

+972(0)48736969 ☎ +972(0)48730708 📠 info@arbel-ltd.com ✉ www.arbel-ltd.com 🌐