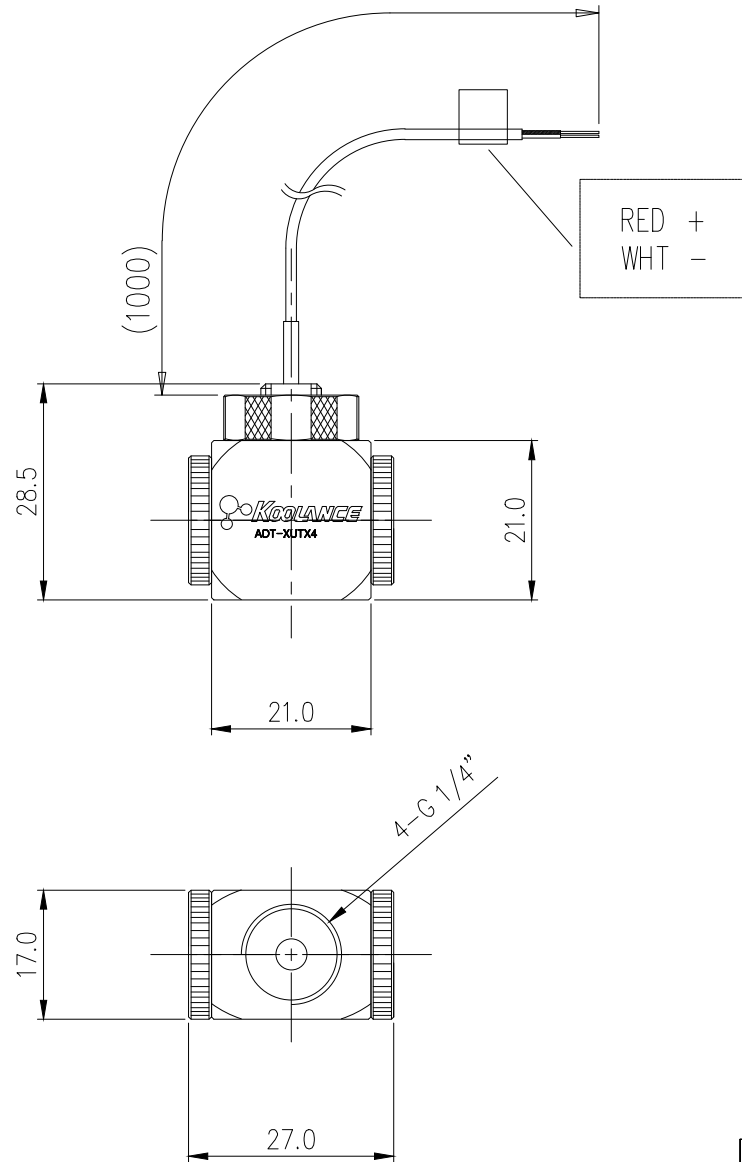


## Coolant Temperature Sensor, Brass, K-Type Thermocouple



Coolant K-type thermocouple temperature sensor with fitting body. This product is designed to be placed inline on any hose. Simply choose G 1/4 BSPP threaded fittings for the desired hose diameter. Wire length = 30" (76cm). Accuracy = +/-1.5°C, temperature range = -40 to 120°C (-40 to 248°F).

General	
Weight	0.21 lb (0.10 kg)
Fitting Thread	G 1/4 BSPP
Max Temperature Tolerance	120°C (248°F)
Wetted Materials	Nickel-Plated Brass, Stainless Steel, EPDM



NO.	DESCRIPTION	MATER'L	QUANTITY	REMARKS
	<b>Koolance</b>	UNIT	MM	ITEM SEN-TCK01B
	BY	BY	APPRO	TITLE Ass'y
	BY	BY	BY	
DATE			3RD ANGLE	
APR.05.2021	S.JLEE		CODE NO.	DWG. NO.
				PAGE