



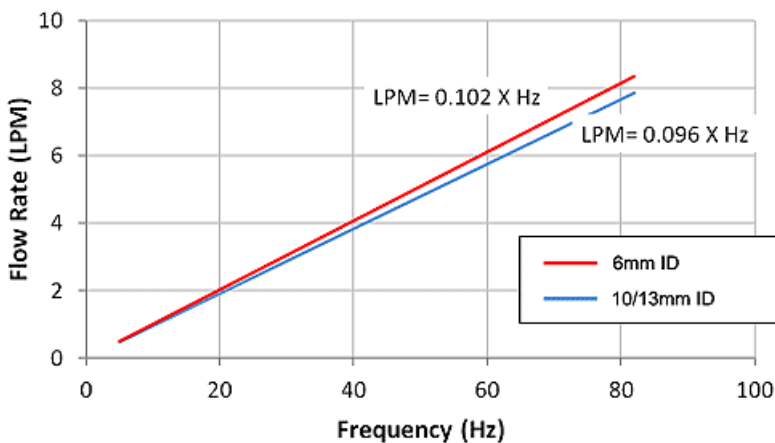
Koolance's inline flow meter provides a visual and electronic indicator of real-time coolant flow rate. Uses G 1/4 BSPP threads.

A frequency circuit (sold [separately](#)) multiplies the RPM signal to allow it to be read by most fan tachometer headers (such as those found on ATX motherboards). This signal is intended to allow fan detection software (including BIOS) to enable the appropriate alarm or shutdown procedure if the flow meter impeller stops rotating. The "RPMs" represent approximate flow meter coolant in mL/min, and not revolutions.

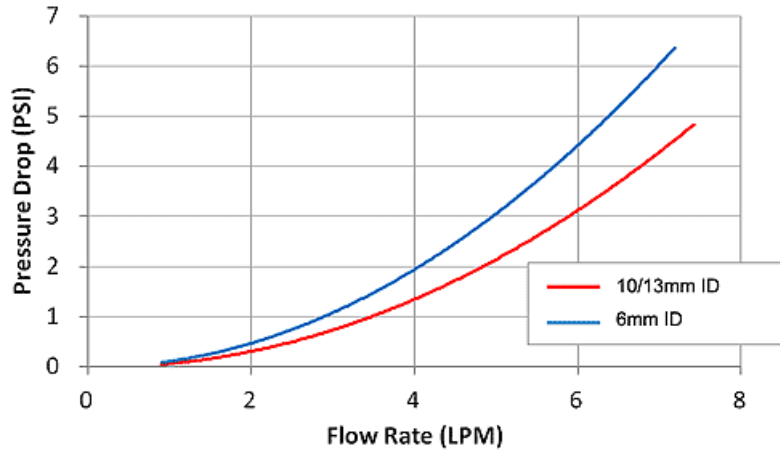
Wire length is about 28" (70cm). Primary materials are nickel-plated brass and acrylic.

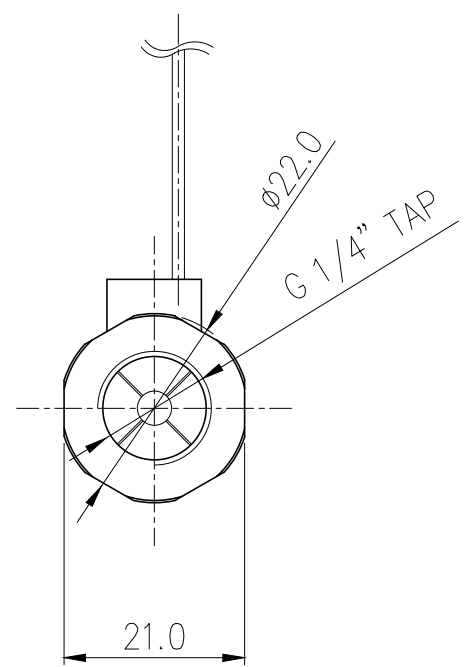
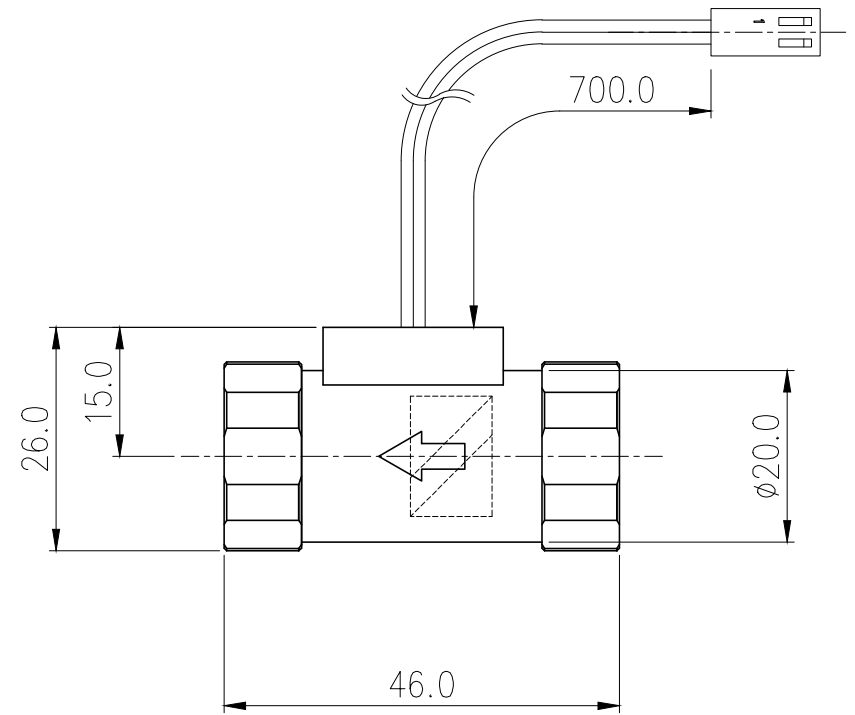
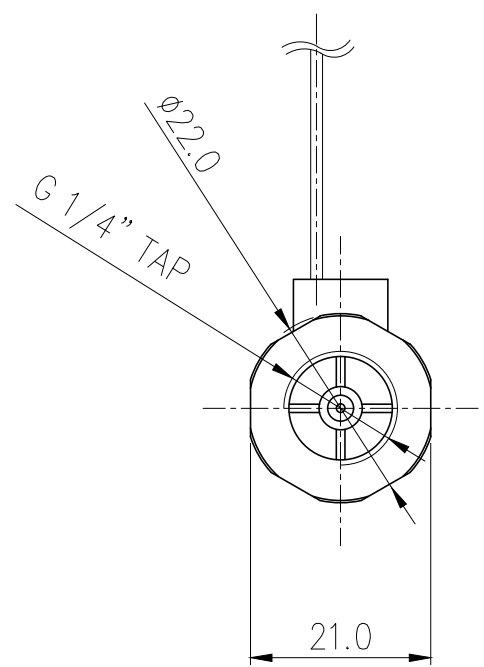
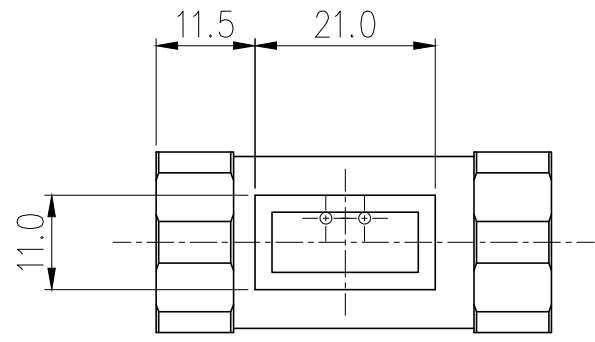
Flow Meters	
Accuracy (Approx.)	+/-5%
Flow Rate Range	0.5-10 LPM (7.8- 158GPH)
General	
Weight	0.13 lb (0.06 kg)
Fitting Thread	G 1/4 BSPP
Materials	Nickel-Plated Brass, Brass, PMMA Acrylic, Stainless Steel, POM Acetal, Plastic, SmCo5
Max Pressure @ 25°C	2kgf/cm2 (28.5psi)
Max Temperature	70°C (158°F)
Min Temperature	0°C (32°F)

INS-FM14



INS-FM14





NO.	DESCRIPTION	MATER'L	QUANTITY	REMARKS
	KOOLANCE	UNIT	MM	APPAR INS-FM14
		SCALE	N/S	TITLE
			3RD ANGLE	Ass'y
DATE	BY	BY	APPRO BY	CODE NO.
04/12/2017	S.JLEE			DWG. NO.

Arbel Agencies LTD.

11 Ba'alei Hamelacha st. Qiryat Bialik P.O.B 1095, ZIP 2751311, ISRAEL

+972(0)48736969 ☎ +972(0)48730708 📠 info@arbel-ltd.com ✉ www.arbel-ltd.com 🌐

