

PLT-UN40F Cold Plate, 40mm x 40mm (1.57in x 1.57in)

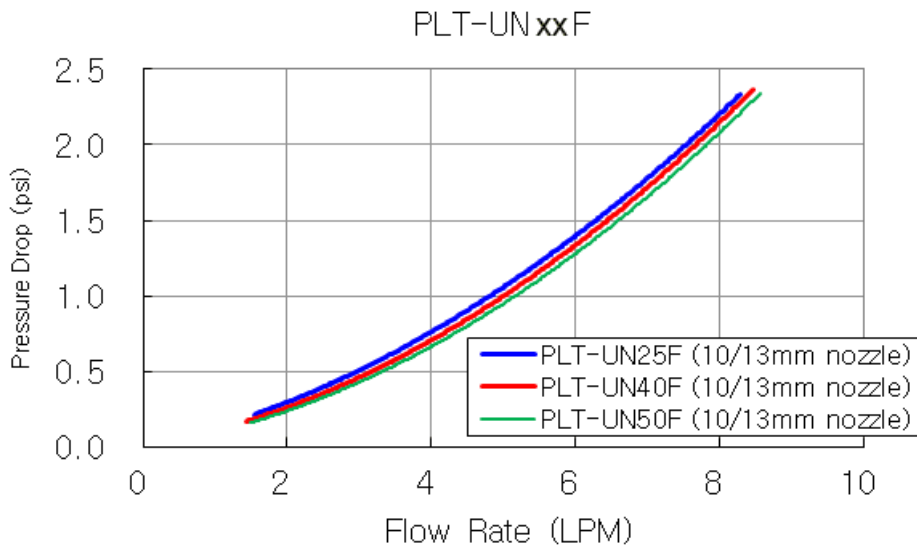


PLT-UN40F is a high-efficiency, general-purpose cold plate for thermal applications such as TEC, LED, image sensor, and semiconductor cooling. The cooling area footprint is 40mm x 40mm (1.57in x 1.57in), and it utilizes a 0.5mm microfin internal structure.

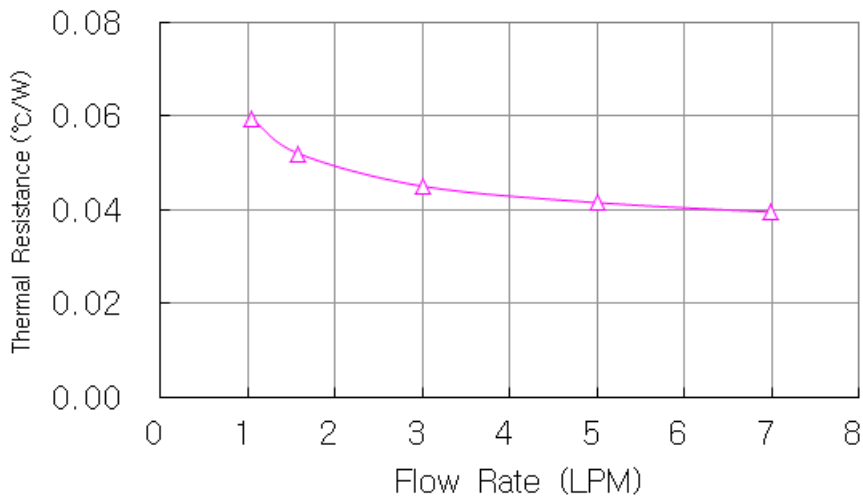
One loose steel bracket is included, designed for easy fabrication and modification (see dimensions under the "Files" tab). The included bracket accommodates diagonal mounting hole distances from approximately 60mm to 88mm (2.36in to 3.46in).

Cold plate materials include copper, a brass top, anti-corrosive nickel plating, and EPDM o-ring. Threaded for G 1/4 BSPP fittings.

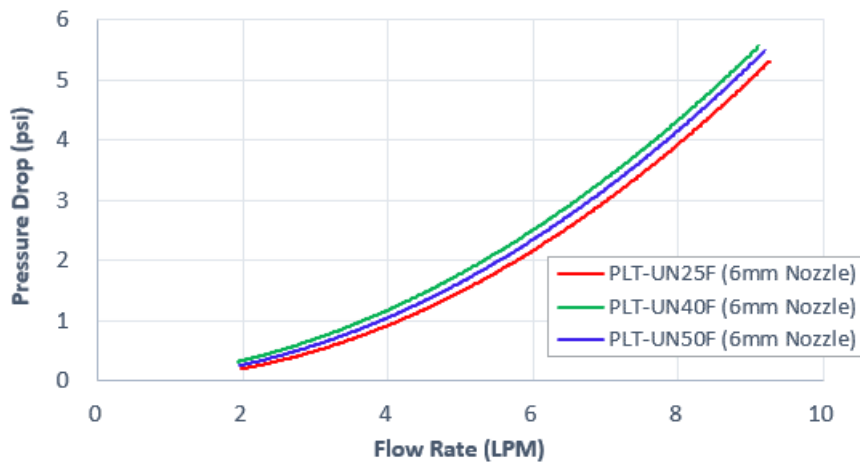
Cold Plates	
Flow Resistance @ 5LPM (10-13mm ID)	0.07 kgf/cm ² (1.0psi)
Thermal Resistance @ 5LPM (Approx.)	0.044°C/W
General	
Weight	0.34 lb (0.15 kg)
Fitting Thread	G 1/4 BSPP
Materials	Nickel-Plated Copper, Nickel-Plated Brass, EPDM
Max Pressure @ 25°C	8kgf/cm ² (113.8psi)
Max Temperature	100°C (212°F)

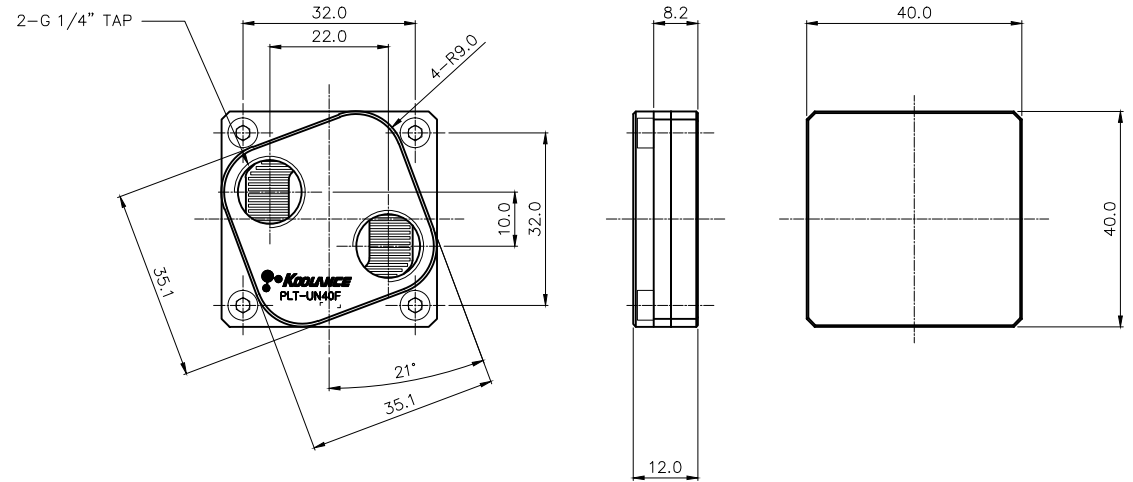
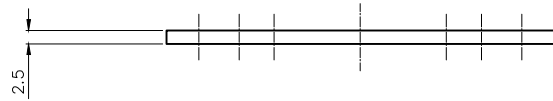
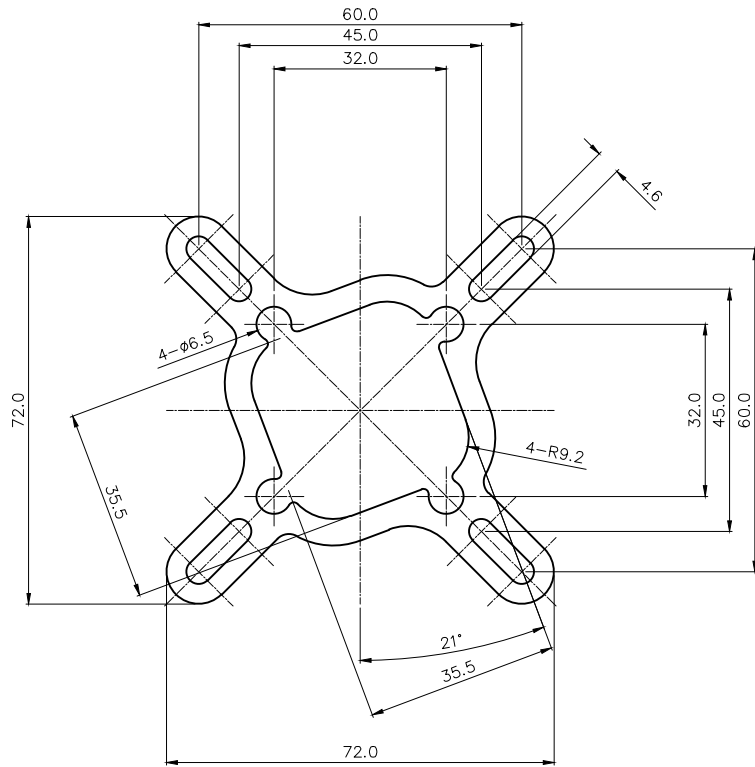


PLT-UN40F



PLT-UNxxF





REV	DATE	CONTENTS	REVD BY	CHKD BY	APPD BY
REVISION					

NO.	DESCRIPTION	MATER'L	QUANTITY	REMARKS
KOOLANCE INC.		UNIT	MM	ITEM PLT-UN40F
		SCALE	N/S	TITLE
DATE	BY	BY	BY	APPRO BY
		3RD ANGLE		Ass'y
		CODE NO.	DWG. NO.	PAGE