



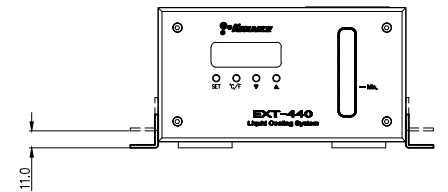
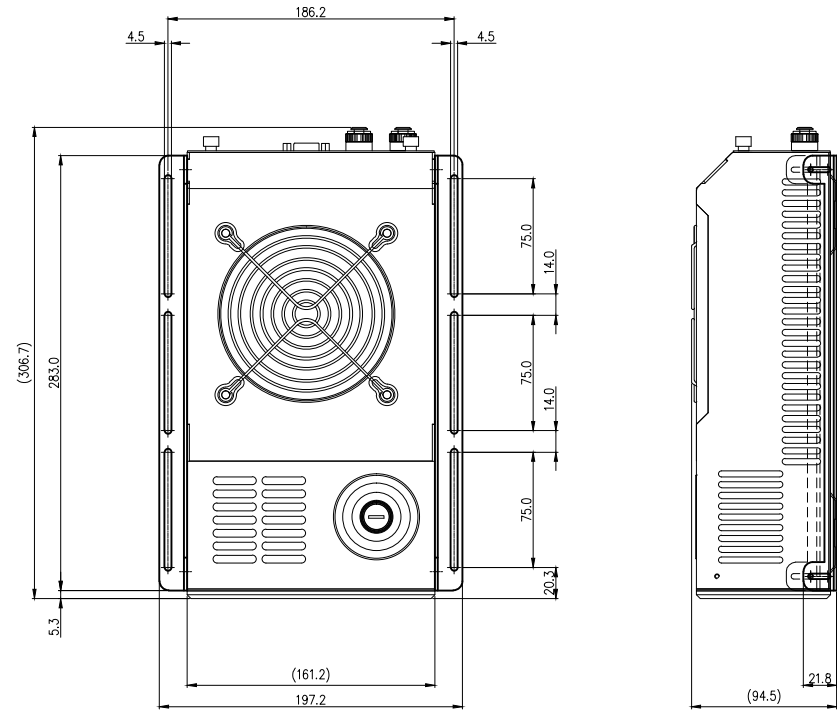
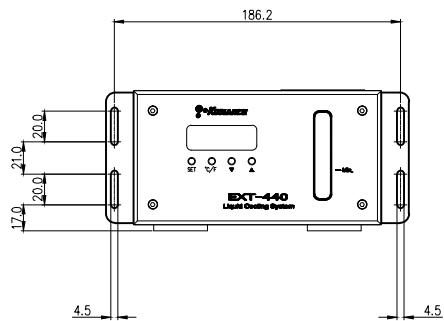
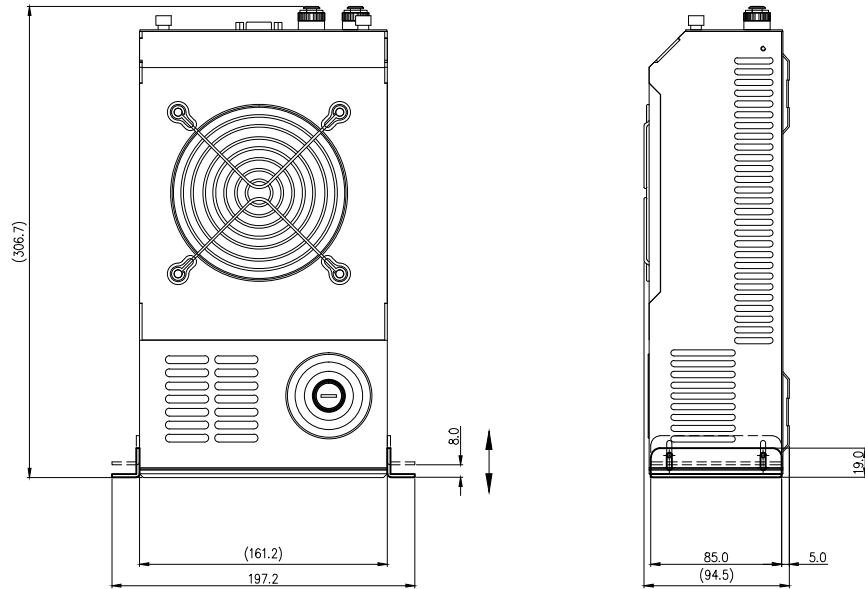
Steel bracket kit for EXT-440. Contains two different mounting options which use the existing side holes on the EXT-440 (floor mount or front/ears). Screws are included.

General	
Weight	0.60 lb (0.27 kg)



Arbel Agencies LTD.

11 Ba'alei Hamelacha st. Qiryat Bialik P.O.B 1095, ZIP 2751311, ISRAEL
 +972(0)48736969 ☎ +972(0)48730708 📠 info@arbel-ltd.com 🌐 www.arbel-ltd.com



NO.	DESCRIPTION	MATER'L		QUANTITY	REMARKS
	KOOLANCE	UNIT	MM	ITEM	EXT-440CU
		SCALE	N/S	TITLE	
		3RD ANGLE			BKT-EXT440 Ass'y
DATE	BY	BY	APPRO BY	CODE NO.	DWG. NO.
JAN.25.2019	S.J.LEE				PAGE