

AP1024

VACUUMPUMP

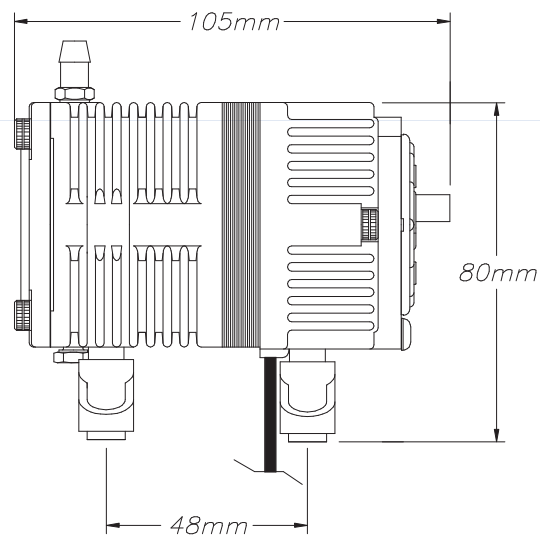
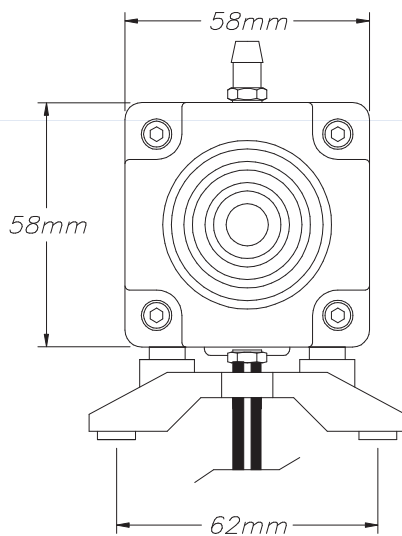
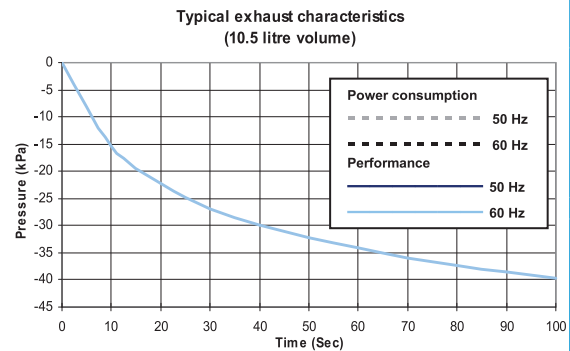
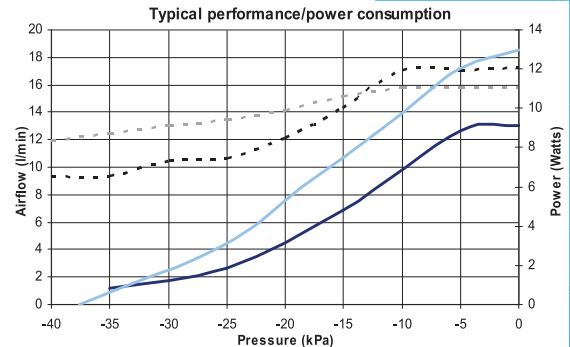


SPECIFICATIONS

| | |
|----------------------------------|---------------------------------------|
| Rated Vacuum: | -15 kPa (-150 mB, -4.43 inHg) |
| Rated Voltage (s): | 100V, 120V, or 230V |
| Maximum Vacuum Airflow: | >10 l/min (0.35 cfm) |
| Maximum Vacuum: | >-39kPa (-390mB, -11.52 inHg) |
| Rated Frequency: | 50Hz or 60Hz |
| Power Consumption: | 13-15 Watts |
| Duty Cycle: | Continuous |
| Coil insulation Class: | Class F. Class B for UL (1450) (120V) |
| Noise Level: | 45 dB (A) |
| Environmental Conditions: | 0°C - 40°C & 35% - 85% RH |
| Mounting Dimensions: | 48(L) x 62(W) mm |
| Unit outside dimensions: | 105mm x 58mm x 58mm |
| Gross Weight: | 700grams (1.54lbs) |
| Lead Wire Length:* | AWG22 (UL1015, 105°C) X 260mm |
| Outlet:* | 7.5mm diameter bard, hose nipple. |

*Example given. Customer determined attributes are available.
Patented and patents pending

Images are for reference only



Contact technical sales for additional information regarding life expectancy and operating conditions.
All the information in this datasheet is supplied in good faith.
This information is given without obligation or liability.