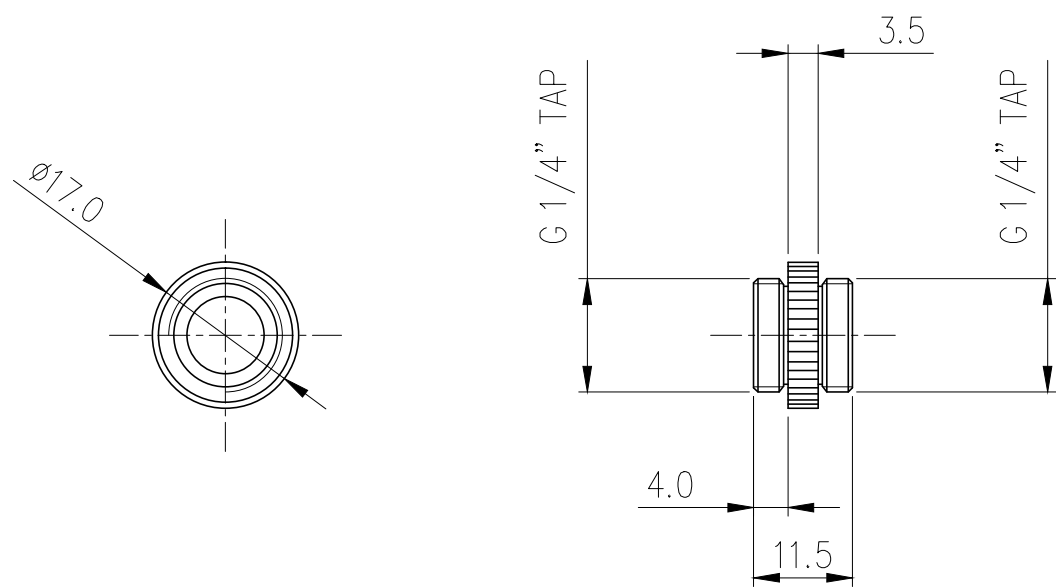




Male-Male G 1/4 BSPP (parallel) thread coupler. It is generally used as a gender changer for converting a female G 1/4 BSPP thread to male.

General	
Weight	0.02 lb (0.01 kg)
Fitting Thread	G 1/4 BSPP
Materials	Brass, EPDM
Max Pressure @ 25°C	15kgf/cm2 (213.4psi)
Max Temperature	120°C (248°F)



NO.	DESCRIPTION	MATER'L		QUANTITY	REMARKS
		UNIT	MM	APPAR	ADT-XMM(-BK)
		SCALE	N/S	TITLE	
	BY	BY	APPRO BY	Ass'y	
DATE					
04/07/2017	S.J.LEE			3RD ANGLE	
				CODE NO.	DWG. NO.