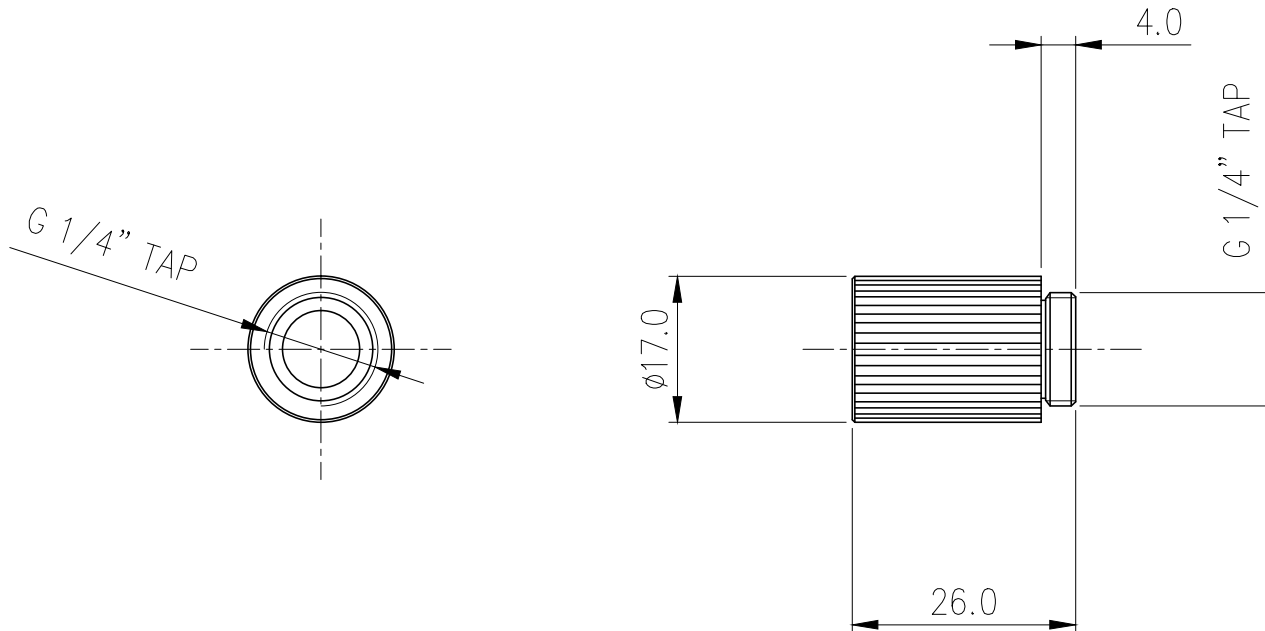





ADT-XMF-L is a longer Male-Female G 1/4 BSPP (parallel) thread coupler. Among various applications, it could be used as a spacer for obtaining extra fitting clearance. The body height, not including the male threading, is 20mm (0.79").

General	
Weight	0.06 lb (0.03 kg)
Fitting Thread	G 1/4 BSPP
Materials	Brass, Nickel Plating, EPDM
Max Pressure @ 25°C	15kgf/cm2 (213.4psi)
Max Temperature	120°C (248°F)



NO.	DESCRIPTION	MATER'L		QUANTITY	REMARKS
		UNIT	MM	APPAR	ADT-XMF-L(-BK)
		SCALE	N/S	TITLE	
DATE	BY	BY	BY	BY	3RD ANGLE
04/07/2017	S.J.LEE				
		CODE NO.		DWG. NO.	