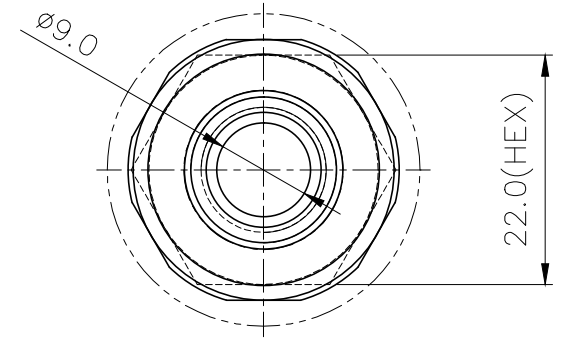
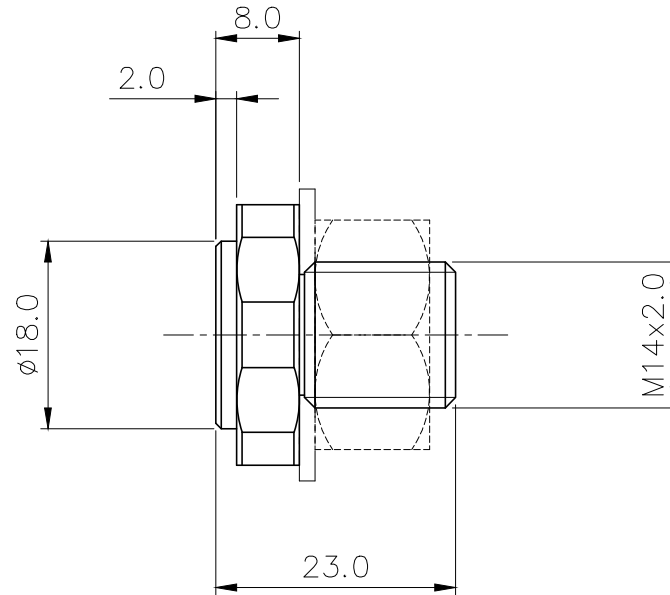
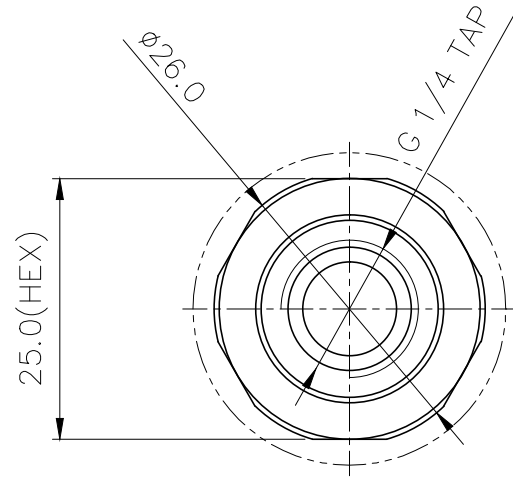




ADT-XFTK is a G 1/4 BSPP female threaded fitting for installation into a panel or reservoir. It is self-sealing with the included EPDM o-ring. A stainless steel washer and nut for the rear side are included.

General	
Weight	0.14 lb (0.06 kg)
Fitting Thread	G 1/4 BSPP
Materials	Brass, Nickel Plating, Stainless Steel, EPDM
Max Pressure @ 25°C	20kgf/cm ² (284.5psi)
Max Temperature	120°C (248°F)



NO.	DESCRIPTION	MATER'L		QUANTITY	REMARKS
		UNIT	MM		
				ITEM	ADT-XFTK
		SCALE	N/S	TITLE	
		3RD ANGLE		Ass'y	
DATE		CODE NO.		DWG. NO.	PAGE
	S.J.LEE				

REVISION	DATE	CONTENTS	REVD BY	CHKD BY	APPD BY