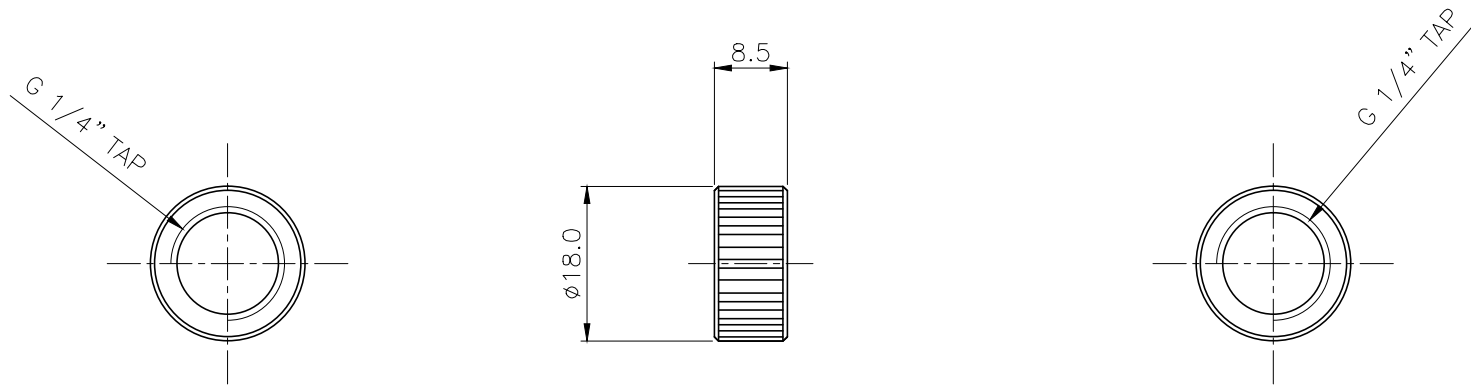





The Koolance Fitting Coupling Adapter provides a convenient coupler for converting between any two G 1/4 BSPP (parallel) thread fittings. Easily adapt any tubing diameter to another, for example, or a swiveling connection to a hose barb.

NOTE: Koolance G 1/4 BSPP (parallel) thread fittings are recommended for this product due to their short thread length (4mm). Other brands of G 1/4 BSPP fittings may need trimming to fit this product.

General	
Weight	0.03 lb (0.01 kg)
Fitting Thread	G 1/4 BSPP
Materials	Brass, EPDM
Max Pressure @ 25°C	15kgf/cm ² (213.4psi)
Max Temperature	120°C (248°F)



NO.	DESCRIPTION	MATER'L		QUANTITY	REMARKS
		UNIT	MM	APPAR	ADT-XFF
		SCALE	N/S	TITLE	
DATE	BY	BY	APPRO BY	3RD ANGLE	
04/06/2017	S.J.LEE			CODE NO.	DWG. NO.
					Ass'y