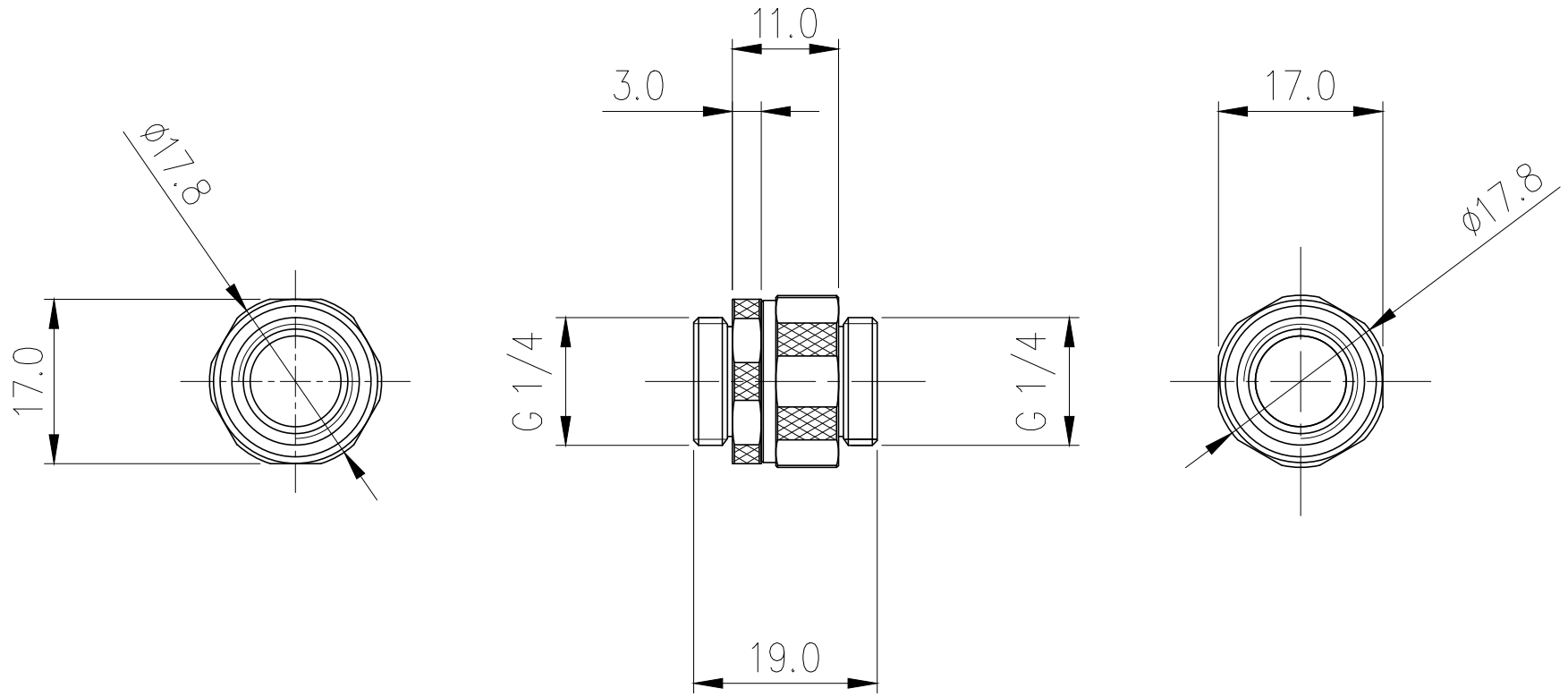




ADT-SMM is a Male-Male G 1/4 BSPP (parallel) thread swiveling coupler.

General	
Weight	0.04 lb (0.02 kg)
Fitting Thread	G 1/4 BSPP
Materials	Brass, Nickel Plating, EPDM
Max Pressure @ 25°C	8kgf/cm ² (113.8psi)
Max Temperature	100°C (212°F)



REV	DATE	CONTENTS	REVD BY	CHKD BY	APPD BY
REVISION					

NO.	DESCRIPTION	MATER'L		QUANTITY	REMARKS
		UNIT	MM	APPAR	
KOOLANCE INC.		SCALE	N/S	TITLE Ass'y	
DATE	BY	BY	BY		
S.J.LEE		REF.	NO.	DWG. NO.	