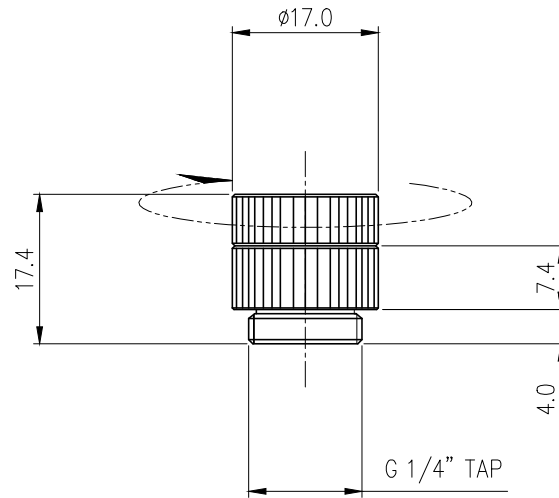
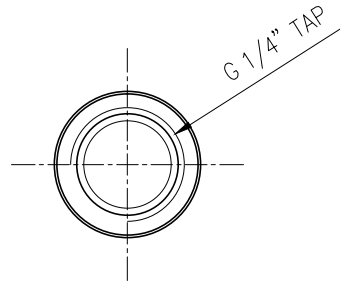




ADT-SMF is a Male-Female G 1/4 BSPP (parallel) thread swiveling coupler.

General	
Weight	0.04 lb (0.02 kg)
Fitting Thread	G 1/4 BSPP
Materials	Brass, Nickel Plating, EPDM
Max Pressure @ 25°C	8kgf/cm ² (113.8psi)
Max Temperature	100°C (212°F)



NO.	DESCRIPTION	MATER'L	QUANTITY	REMARKS
	KOOLANCE®	UNIT	MM	APPAR ADT-SMF
		SCALE	N/S	TITLE
	BY	BY	BY	BY
	DATE	3RD ANGLE		Ass'y
04/06/2017	S.J.LEE	CODE NO.	DWG. NO.	