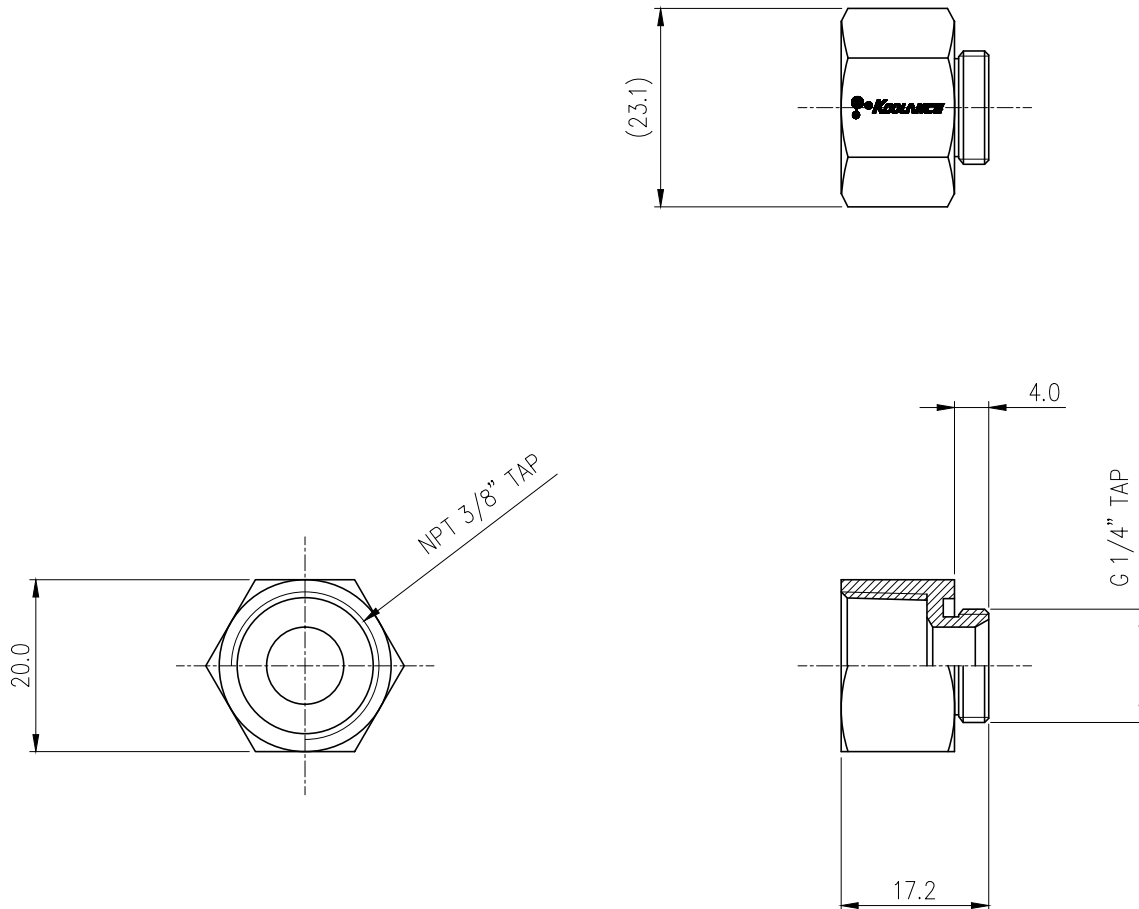





Single fitting threading adapter, from G 1/4 BSPP (male) to NPT 3/8 (female).

General	
Weight	0.04 lb (0.02 kg)
Fitting Thread	G 1/4 BSPP, NPT 3/8
Materials	Brass, Nickel Plating, EPDM
Max Pressure @ 25°C	15kgf/cm ² (213.4psi)
Max Temperature	120°C (248°F)



NO.	DESCRIPTION	MATER'L		QUANTITY	REMARKS
	 KOOLANCE®	UNIT	MM	APPAR	ADT-G14M-N38F
		SCALE	N/S	TITLE	
		3RD ANGLE		Ass'y	
DATE	BY	BY	BY	APPRO BY	
04/06/2017	S.J.LEE				
		CODE NO.		DWG. NO.	