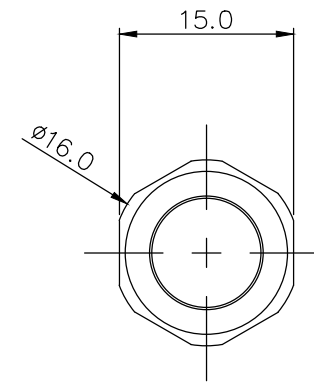
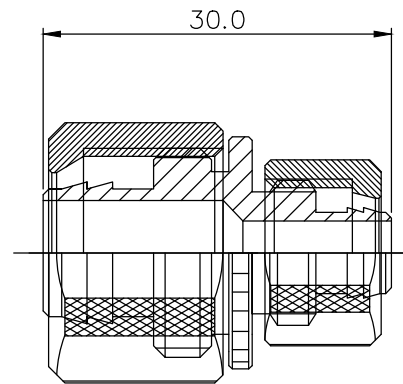
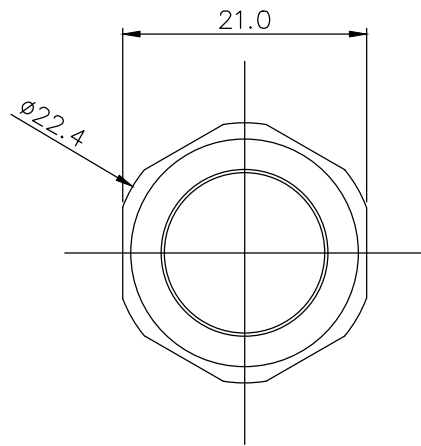


Tubing Adapter Single for 06mm x 10mm (1/4in
x 3/8in) to 10mm x 13mm (3/8in x 1/2in)




Koolance tubing adapter from 6mm (1/4in) ID, 10mm (3/8in) OD to 10mm (3/8in) ID, 13mm (1/2in) OD.

General	
Weight	0.10 lb (0.05 kg)
Max Pressure Tolerance @ 25°C	15kgf/cm2 (213.4psi)
Max Temperature Tolerance	200°C (392°F)
Wetted Materials	Brass, Nickel Plating



REV	DATE	CONTENTS	REVD BY	CHKD BY	APPD BY

DESCRIPTION		MATER'L		QUANTITY	REMARKS
		UNIT	MM	ITEM	ADT-06T10S
		SCALE	N/S	TITLE	
DATE	BY	BY	BY	APPRO	BY
AK. SONG			3RD ANGLE		Mechanical Dimension
			CODE NO.	DWG. NO.	PAGE