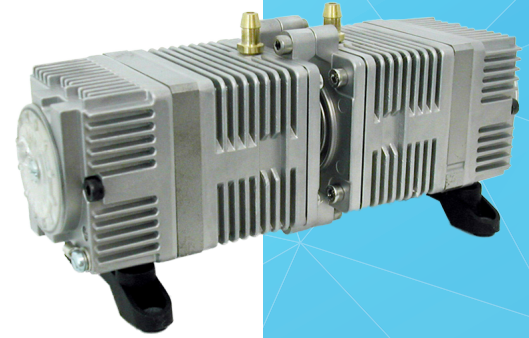


AC1024-B

AIR COMPRESSOR



SPECIFICATIONS

SERIES CONFIGURATION

Rated Pressure:	35 kPa (350mB, 5.07psi)
Rated Airflow:	6 l/min (0.21cfm)
Maximum Pressure:	>82 kPa (820mB, 11.9psi)

PARALLEL CONFIGURATION

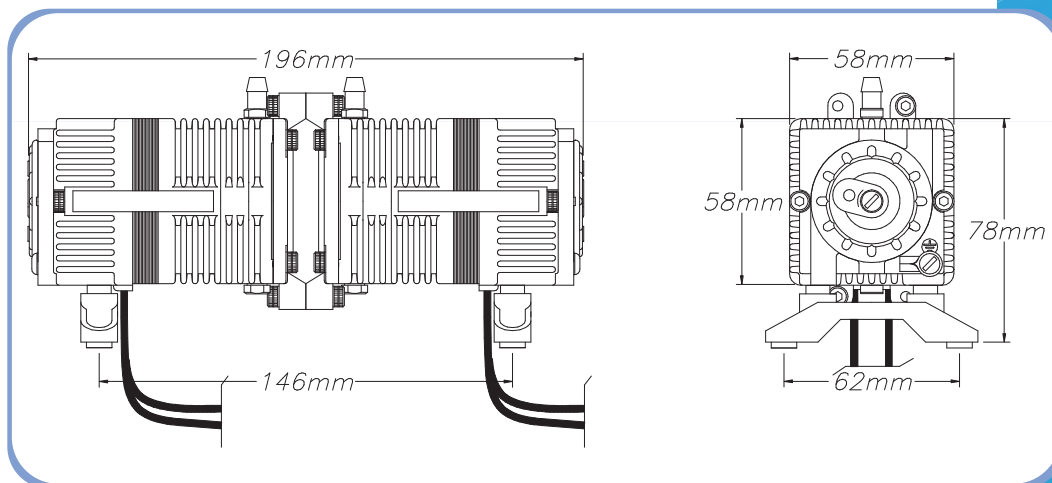
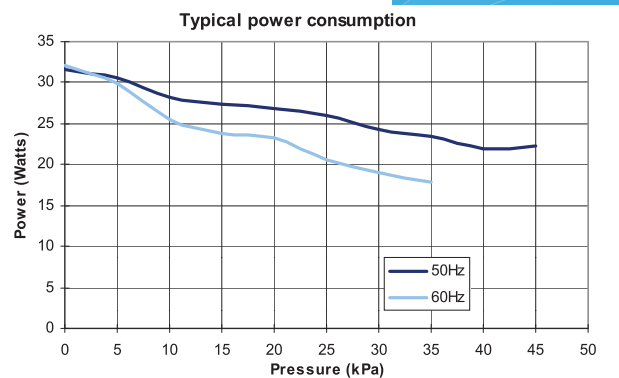
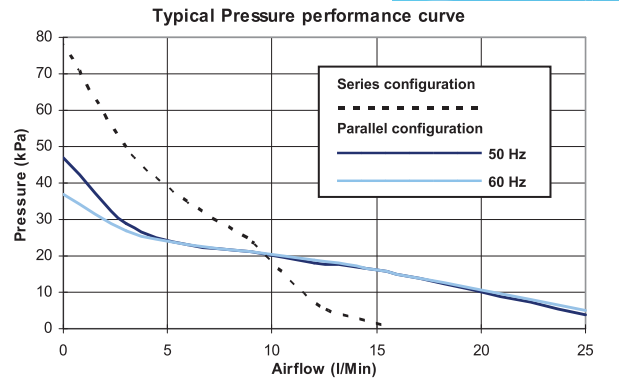
Rated Pressure:	19 kPa (190mB, 2.75psi)
Rated Airflow:	10 l/min (0.35cfm)
Maximum Pressure:	>41 kPa (410mB, 5.95psi)

FEATURES OF BOTH CONFIGURATION

Rated voltage(s):	100V, 120V, or 230V
Rated Frequency:	50Hz or 60Hz
Power Consumption:	23-27 Watts
Duty Cycle:	Continuous
Coil insulation Class:	Class F. Class B for UL (1450) (120V)
Noise Level:	45 dB (A)
Environmental Conditions:	0°C - 40°C & 35% - 85% RH
Mounting Dimensions:	146(L) x 62(W) mm
Unit outside dimensions:	196mm x 58mm x 58mm
Gross Weight:	700grams (1.54lbs)
Lead Wire Length:*	260mm Standard
Outlet:*	7.5mm diameter bard, hose elbow nipple.

*Example given. Customer determined attributes are available.
Patented and patents pending

Images are for reference only



Contact technical sales for additional information regarding life expectancy and operating conditions.

All the information in this datasheet is supplied in good faith.

This information is given without obligation or liability.