

Y718

NEW

+200°
-40°

C40

RoHS
COMPLIANT

STEEL ANGLED BALL JOINT - DIN 71802 - C DESIGN

Materials:

Steel with strength class 5.8.

Surface finish:

Turned with low roughness.

Colour:

Standard blue galvanising.

Inserts:

- (1) Steel ball joint with threaded hole.
- (3) Harmonic steel spring ring.
- (4) Steel nut with threaded hole (DIN 934).
- (2) Ball insert with milled seat for wrench and threaded stud machined from solid steel (thread tolerance 6g).

Standard version:

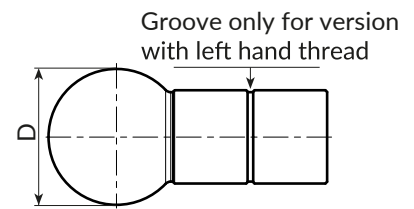
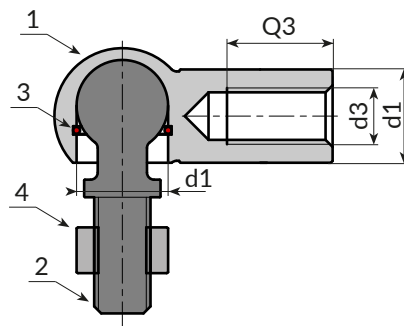
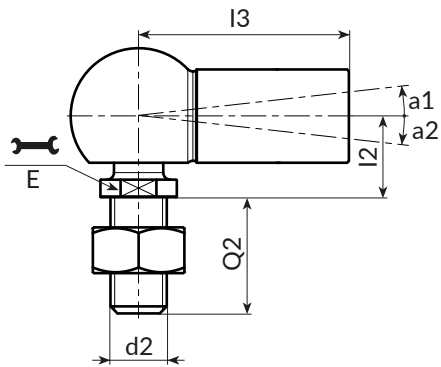
Right-hand thread (thread tolerance 6H).

Version SX (LH):

Left-hand thread (thread tolerance 6H). Identifiable by the groove on the joint.

Special requests:

- None.



Version 718 - joint with standard thread

Stock availability as % (🛒)
90% (●) - 40% (●) - 5% (●)

🛒	Art.	d2 _{6g}	d3 _{6H}	D	E	I2	I3	Q2	d1 _{h9-H9}	Q3	a1	a2	g
●	Y71808.VZM05	M5	M5	12,8	7	9	22	10,2	8	10,2	18	18	15
●	Y71810.VZM06	M6	M6	14,8	8	11	25	11,5	10	11,5	18	18	25
●	Y71813.VZM08	M8	M8	19,3	11	13	30	14	13	14	18	18	53
●	Y71816.VZM10	M10	M10	24	13	16	35	15,5	16	15,5	18	18	104
●	Y71819.VZM14X1.5	M14X1,5	M14X1,5	30	16	20	45	21,5	19	21,5	-	15	221

Version 718 - joint with LH thread

🛒	Art.	d2 _{6g}	d3 _{6H}	D	E	I2	I3	Q2	d1 _{h9-H9}	Q3	a1	a2	g
●	Y71808.VZM05SX	M5	M5 SX	12,8	7	9	22	10,2	8	10,2	18	18	15
●	Y71810.VZM06SX	M6	M6 SX	14,8	8	11	25	11,5	10	11,5	18	18	25
●	Y71813.VZM08SX	M8	M8 SX	19,3	11	13	30	14	13	14	18	18	53
●	Y71816.VZM10SX	M10	M10 SX	24	13	16	35	15,5	16	15,5	18	18	104
●	Y71819.VZM14X1.5SX	M14X1,5	M14X1,5 SX	30	16	20	45	21,5	19	21,5	18	18	221

Arbel Agencies LTD.



11 Ba'alei Hamelacha st. Qiryat Bialik P.O.B 1095, ZIP 2751311, ISRAEL
+972(0)48736969 ☎ +972(0)48730708 📠 info@arbel-ltd.com 📧 www.arbel-ltd.com 🌐

