

Y711

THREADED SHAFT COLLAR



Materials (1):

Y711:

Turned free-cutting steel.

Y711PIN:

Turned stainless steel (Aisi 303).

Surface finish:

Fine turned.

Colour:

Y711:

Standard black-oxide treatment.

Y711PIN:

Natural.

Fixing screws (2):

Y711:

No. 1 black-oxide treated steel socket head screw, class 12.9 DIN 912

Y711PIN:

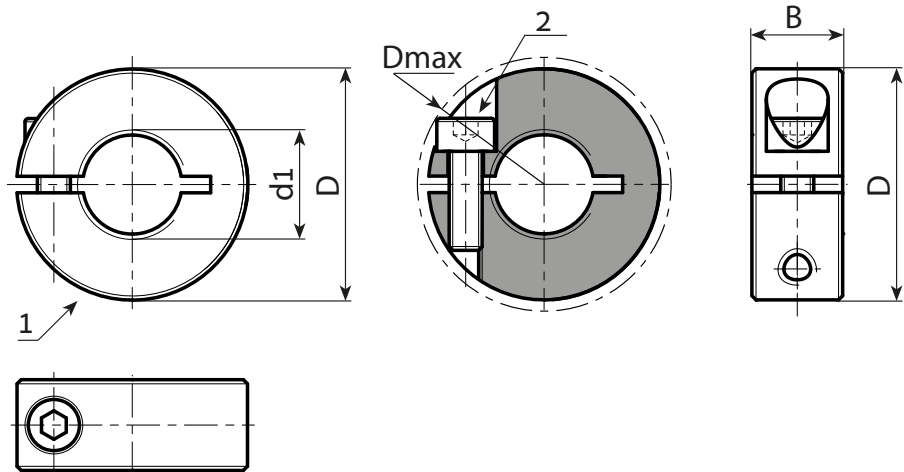
No. 1 stainless steel socket head screw (Aisi 304) DIN 912.

ATTENTION:

We recommend making the shaft with a tolerance less than h11.

Special requests:

- None.



Version Y711: Black-oxide treated steel shaft collars

Stock availability as % (🛒)
90% (●) - 40% (●) - 5% (●)

Art.	D	Dmax	B	d1	DIN 912	g
Y711016.VBM04	16	20,7	9	M4	M03x8	14
Y711016.VBM05	16	20,7	9	M5	M03x8	13,5
Y711016.VBM06	16	20,7	9	M6	M03x8	12
Y711018.VBM08	18	22,4	9	M8	M03x8	15
Y711024.VBM10	24	26	9	M10	M03x10	24.5
Y711028.VBM12	28	31,8	11	M12	M04x12	40
Y711034.VBM16	34	39,4	13	M16	M05x16	71
Y711040.VBM20	40	46,4	15	M20	M06x18	107

Version Y711 PIN: Stainless steel (Aisi 303) shaft collars



Art.	D	Dmax	B	d1	DIN 912	g
Y711016.INM04PIN	16	20,7	9	M4	M03x8	14
Y711016.INM05PIN	16	20,7	9	M5	M03x8	13,5
Y711016.INM06PIN	16	20,7	9	M6	M03x8	12
Y711018.INM08PIN	18	22,4	9	M8	M03x8	15
Y711024.INM10PIN	24	26	9	M10	M03x10	24.5
Y711028.INM12PIN	28	31,8	11	M12	M04x12	40
Y711034.INM16PIN	34	39,4	13	M16	M05x16	71
Y711040.INM20PIN	40	46,4	15	M20	M06x18	107

Arbel Agencies LTD.



11 Ba'alei Hamelacha st. Qiryat Bialik P.O.B 1095, ZIP 2751311, ISRAEL
+972(0)48736969 ☎ +972(0)48730708 📠 info@arbel-ltd.com 📧 www.arbel-ltd.com 🌐

