

# Y708

## TWO-PIECE SHAFT COLLAR



### Materials (1):

#### Y708:

Turned free-cutting steel.

#### Y708PIN:

Turned stainless steel (Aisi 303).

#### Y708AND:

Turned aluminium (Al 6060).

### Surface finish:

Fine turned.

### Colour:

#### Y708:

Standard black-oxide treatment.

#### Y708PIN:

Natural.

#### Y708AND:

Natural.

### Fixing screws (2):

#### Y709:

No. 1 black-oxide treated steel socket head screw, class 12.9 DIN 912

#### Y709PIN - Y710AND:

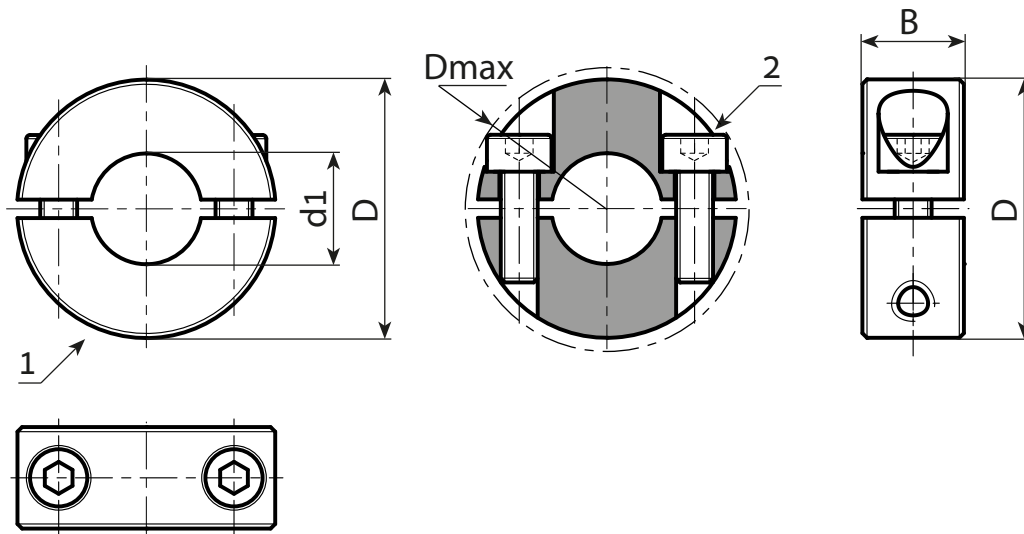
No. 1 stainless steel socket head screw (Aisi 304) DIN 912.

### ATTENTION:

We recommend making the shaft with a tolerance less than h11.

### Special requests:

- None.



### Version Y708: Black-oxide treated steel shaft collars



Stock availability as % (🛒)  
90% (●) - 40% (●) - 5% (●)

Art.	D	Dmax	B	d1	DIN 912	g
Y708016.VBD04	16	20.7	9	4	M03x8	12.5
Y708016.VBD05	16	20.7	9	5	M03x8	12.7
Y708016.VBD06	16	20.7	9	6	M03x8	10.3
Y708018.VBD08	18	22.4	9	8	M03x8	14
Y708024.VBD10	24	26	9	10	M03x10	22
Y708028.VBD12	28	31.8	11	12	M04x12	37
Y708034.VBD15	34	39.4	13	15	M05x16	61.5
Y708034.VBD16	34	39.4	13	16	M05x16	62
Y708036.VBD18	36	41.1	13	18	M05x16	66
Y708040.VBD20	40	46.4	15	20	M06x18	99
Y708042.VBD22	42	48.1	15	22	M06x18	105
Y708045.VBD25	45	50.8	15	25	M06x18	116
Y708048.VBD28	48	53.7	15	28	M06x18	123
Y708054.VBD30	54	58.6	15	30	M06x18	166
Y708060.VBD40	60	65	15	40	M06x18	166
Y708078.VBD50	78	87	19	50	M08x25	390

# Y708

## TWO-PIECE SHAFT COLLAR



### Version Y708PIN: Stainless steel (Aisi 303) shaft collars



**BOTECA**  
**METAL LINE**

**INOX**

Stock availability as % (🛒)  
90% (●) - 40% (●) - 5% (●)

Art.	D	Dmax	B	d1	DIN 912	g
Y708016.IND04PIN	16	20.7	9	4	M03x8	12
Y708016.IND05PIN	16	20.7	9	5	M03x8	11.5
Y708016.IND06PIN	16	20.7	9	6	M03x8	9.5
Y708018.IND08PIN	18	22.4	9	8	M03x8	12
Y708024.IND10PIN	24	26	9	10	M03x10	22
Y708028.IND12PIN	28	31.8	11	12	M04x12	37
Y708034.IND15PIN	34	39.4	13	15	M05x16	65
Y708034.IND16PIN	34	39.4	13	16	M05x16	63.5
Y708036.IND18PIN	36	41.1	13	18	M05x16	69.5
Y708040.IND20PIN	40	46.4	15	20	M06x18	99
Y708042.IND22PIN	42	48.1	15	22	M06x18	107
Y708045.IND25PIN	45	50.8	15	25	M06x18	115
Y708048.IND28PIN	48	53.7	15	28	M06x18	127
Y708054.IND30PIN	54	58.6	15	30	M06x18	169
Y708060.IND40PIN	60	65	15	40	M06x18	166
Y708078.IND50PIN	78	87	19	50	M08x25	392

### Version Y708AND: Natural aluminium shaft collars

**AI**

Art.	D	Dmax	B	d1	DIN 912	g
Y708016.AND04	16	20.7	9	4	M03x8	5.5
Y708016.AND05	16	20.7	9	5	M03x8	5.3
Y708016.AND06	16	20.7	9	6	M03x8	5
Y708018.AND08	18	22.4	9	8	M03x8	5.5
Y708024.AND10	24	26	9	10	M03x10	9.3
Y708028.AND12	28	31.8	11	12	M04x12	15.5
Y708034.AND15	34	39.4	13	15	M05x16	28
Y708034.AND16	34	39.4	13	16	M05x16	28
Y708036.AND18	36	41.1	13	18	M05x16	30
Y708040.AND20	40	46.4	15	20	M06x18	43
Y708042.AND22	42	48.1	15	22	M06x18	45
Y708045.AND25	45	50.8	15	25	M06x18	47
Y708048.AND28	48	53.7	15	28	M06x18	51.5
Y708054.AND30	54	58.6	15	30	M06x18	67
Y708060.AND40	60	65	15	40	M06x18	66
Y708078.AND50	78	87	19	50	M08x25	156