

Y705-Y706



C40



DIN 705 - STAINLESS STEEL LOCK RING NUT WITH STEEL GRUB SCREW

Materials:
Standard steel.

Surface finish:
Smooth, turned.

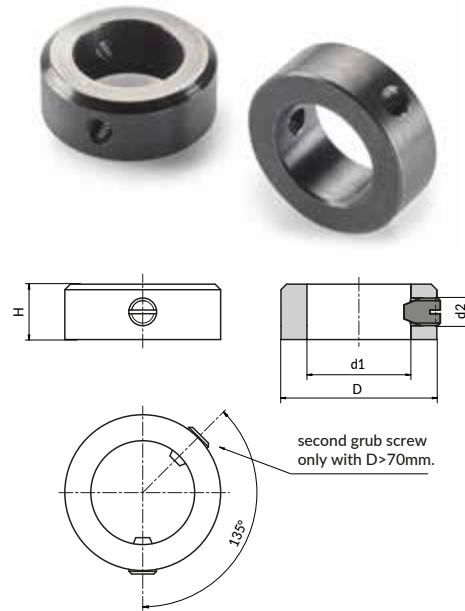
Colour:
Black-oxide treatment.

Grub screw:
Y705:
Slotted grub screw DIN 553.

Y706:
Hex socket head grub screw DIN 914.

Attention:
second grub screw added starting from diameter D=>70 mm.

Special requests:
• None.



second grub screw only with D>70mm.



Stock availability as % (🛒)
90% (●) - 40% (●) - 5% (●)

Version Y705: With slotted grub screw DIN 553 - Version Y706: With hex socket head grub screw DIN 914

🛒	Art.	🛒	Art.	Dh13	Hjs14	d2	d1H8	g
●	Y705007.VBD003	●	Y706007.VBD003	7	5	M02	3	1.2
●	Y705008.VBD004	●	Y706008.VBD004	8	5	M02.5	4	1.4
●	Y705010.VBD005	●	Y706010.VBD005	10	6	M03	5	2.7
●	Y705012.VBD006	●	Y706012.VBD006	12	8	M04	6	5
●	Y705012.VBD007	●	Y706012.VBD007	12	8	M04	7	5
●	Y705016.VBD008	●	Y706016.VBD008	16	8	M04	8	9
●	Y705018.VBD009	●	Y706018.VBD009	18	10	M05	9	14.5
●	Y705020.VBD010	●	Y706020.VBD010	20	10	M05	10	18
●	Y705020.VBD011	●	Y706020.VBD011	20	10	M05	11	16.5
●	Y705022.VBD012	●	Y706022.VBD012	22	12	M06	12	24
●	Y705025.VBD014	●	Y706025.VBD014	25	12	M06	14	30.5
●	Y705025.VBD015	●	Y706025.VBD015	25	12	M06	15	28
●	Y705028.VBD016	●	Y706028.VBD016	28	12	M06	16	37
●	Y705032.VBD018	●	Y706032.VBD018	32	14	M06	18	58
●	Y705032.VBD020	●	Y706032.VBD020	32	14	M06	20	52
●	Y705040.VBD024	●	Y706040.VBD024	40	16	M08	24	98
●	Y705040.VBD025	●	Y706040.VBD025	40	16	M08	25	94
●	Y705040.VBD026	●	Y706040.VBD026	40	16	M08	26	86.5
●	Y705045.VBD028	●	Y706045.VBD028	45	16	M08	28	120
●	Y705045.VBD030	●	Y706045.VBD030	45	16	M08	30	107
●	Y705050.VBD032	●	Y706050.VBD032	50	16	M08	32	142
●	Y705056.VBD035	●	Y706056.VBD035	56	16	M08	35	184
●	Y705056.VBD036	●	Y706056.VBD036	56	16	M08	36	177
●	Y705056.VBD038	●	Y706056.VBD038	56	16	M08	38	163
●	Y705063.VBD040	●	Y706063.VBD040	63	18	M10	40	256
●	Y705063.VBD042	●	Y706063.VBD042	63	18	M10	42	240
●	Y705070.VBD045	●	Y706070.VBD045	70	18	M10	45	313
●	Y705070.VBD048	●	Y706070.VBD048	70	18	M10	48	313
●	Y705080.VBD050	●	Y706080.VBD050	80	18	M10	50	424
●	Y705080.VBD052	●	Y706080.VBD052	80	18	M10	52	401
●	Y705080.VBD055	●	Y706080.VBD055	80	18	M10	55	367
●	Y705080.VBD056	●	Y706080.VBD056	80	18	M10	56	362
●	Y705090.VBD058	●	Y706090.VBD058	90	20	M10	58	572
●	Y705090.VBD060	●	Y706090.VBD060	90	20	M10	60	555
●	Y705090.VBD063	●	Y706090.VBD063	90	20	M10	63	498
●	Y705100.VBD065	●	Y706100.VBD065	100	20	M10	65	702
●	Y705100.VBD068	●	Y706100.VBD068	100	20	M10	68	702
●	Y705100.VBD070	●	Y706100.VBD070	100	20	M10	70	615
●	Y705110.VBD072	●	Y706110.VBD072	110	22	M12	72	938
●	Y705110.VBD075	●	Y706110.VBD075	110	22	M12	75	878
●	Y705110.VBD080	●	Y706110.VBD080	110	22	M12	80	773
●	Y705125.VBD085	●	Y706125.VBD085	125	22	M12	85	1139
●	Y705125.VBD090	●	Y706125.VBD090	125	22	M12	90	1021
●	Y705140.VB100	●	Y706140.VBD100	140	25	M12	100	1480