

Y653



DIN 653 - FULL STEEL DIAMOND KNURLED THUMB SCREW WITH THREADED DOME-END STUD

Materials:

Y653:

Free-cutting steel.

Y653 CIN:

Stainless steel (Aisi 303).

Surface finish:

Smooth, turned.

Colour:

Y653:

Black-oxide treatment.

Y653 CIN:

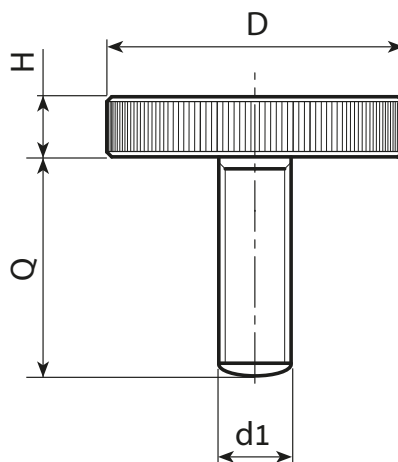
Natural.

Stud:

Threaded stud with dome end (thread tolerance 6g).

Special requests:

- None.



Version Y653: black-oxide treated steel



Stock availability as % (🛒)
90% (●) - 40% (●) - 5% (●)

art.	D	H	d1 _{6g}	Q	g
Y653012.VBM03X..	12	2,5	M3	06-10-20	3-3-4
Y653016.VBM04X..	16	3,5	M4	10-16	6-7
Y653020.VBM05X..	20	4	M5	10-16-25	11-12-14
Y653024.VBM06X..	24	5	M6	12-16-25-30-35-40	20-21-23-24-25-26
Y653030.VBM08X..	30	6	M8	16-20-25-35-40	37-39-40-43-48
Y653036.VBM10X..	36	8	M10	20-30-40	72-76-80

Enter the selected grub screw length in place of the two dots .. in the item code.

Version Y653CIN - stainless steel (Aisi 303)



art.	D	H	d1 _{6g}	Q	g
Y653012.INM03X..CIN	12	2,5	M3	06-10-20	3-3-4
Y653016.INM04X..CIN	16	3,5	M4	10-16	6-7
Y653020.INM05X..CIN	20	4	M5	10-16-25	11-12-14
Y653024.INM06X..CIN	24	5	M6	12-16-25-30-35-40	20-21-23-24-25-26
Y653030.INM08X..CIN	30	6	M8	16-20-25-35-40	37-39-40-43-48
Y653036.INM10X..CIN	36	8	M10	20-30-40	72-76-80

Enter the selected grub screw length in place of the two dots .. in the item code.



Arbel Agencies LTD.

11 Ba'alei Hamelacha st. Qiryat Bialik P.O.B 1095, ZIP 2751311, ISRAEL
+972(0)48736969 ☎ +972(0)48730708 📠 info@arbel-ltd.com 📧 www.arbel-ltd.com 🌐

