

Y637

DIN 6372 - C-WASHER



Materials:

Quenched and tempered steel.

Surface finish:

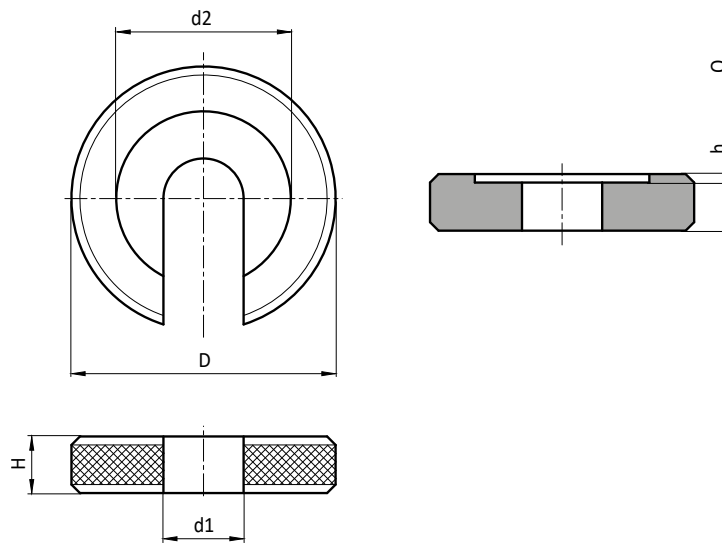
Heat-treated.

Colour:

Black-oxide treatment.

Special requests:

- None.



Stock availability as % (🛒)
90% (●) - 40% (●) - 5% (●)

Art.	D	H	h	d2	d1	Q	g
Y637017.SD05.25	17	5	0.75	12	5.25	4.25	6
Y637022.SD06.4	22	6	0.8	16	6.4	5.2	12
Y637028.SD08.4	28	7	1	21	8.4	6	23
Y637034.SD10.5	34	8	1.2	25	10.5	6.8	38
Y637040.SD13	40	9	1.8	30	13	7.2	57
Y637048.SD14.5	48	12	1.8	33	14.5	10.2	117
Y637056.SD17	56	12	1.8	37	17	10.2	146
Y637064.SD21	64	14	2	45	21	12	234
Y637075.SD25	75	16	2	52	25	14	374
Y637090.SD31	90	18	2	65	31	16	720
Y637100.SD37	100	20	2.5	75	37	17.5	791

Arbel Agencies LTD.



11 Ba'alei Hamelacha st. Qiryat Bialik P.O.B 1095, ZIP 2751311, ISRAEL
+972(0)48736969 ☎ +972(0)48730708 📠 info@arbel-ltd.com 🌐 www.arbel-ltd.com 🌐

