

# Y631



## DIN 6311 - S DESIGN - STEEL BASE WITH RING FOR STUD DIN 6332

### Materials:

#### Y631:

Case-hardened base.

(1) Harmonic steel retaining ring.

#### Y631 CIN:

Stainless steel base (Aisi 303).

(1) Stainless steel retaining ring (Aisi 302).

### Surface finish:

#### Y631:

Case-hardened.

#### Y631 CIN:

Natural, untreated.

### Colour:

#### Y631:

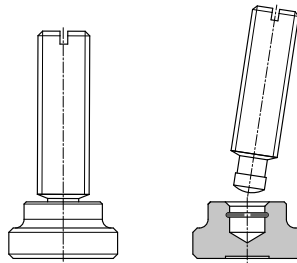
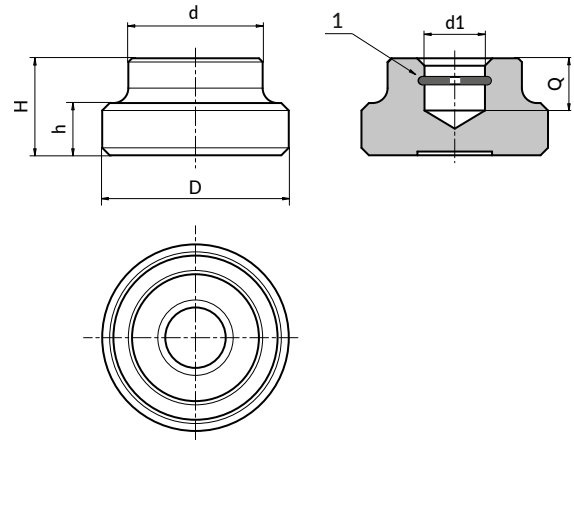
Black-oxide treatment.

#### Y631 CIN:

Natural.

### Special requests:

- Upon request and for special quantities the base can be supplied with a low T design and a larger clamping surface.



Y631+Y633



### Version Y631 - black-oxide treated steel

Stock availability as % (🛒)  
90% (●) - 40% (●) - 5% (●)

🛒	art.	D	d	H	h	for pins DIN 6332	d1H12	Q	g
●	Y631012.SBD04.6	12	10	7	2.5	M06	4.6	4	4
●	Y631016.SBD06.1	16	12	9	4	M08	6.1	5	9
●	Y631020.SBD08.1	20	15	11	5	M10	8.1	6	12
●	Y631025.SBD08.1	25	18	13	7	M12	8.1	7	34
●	Y631032.SBD12.1	32	22	15	7	M16	12.1	7.5	57
●	Y631040.SBD15.6	40	28	16	9	M20	15.6	8	103

### Version W631 CIN - stainless steel (Aisi 303).



🛒	art.	D	d	H	h	for pins DIN 6332	d1H12	Q	g
●	Y631012.IND04.6CIN	12	10	7	2.5	M06	4.6	4	4
●	Y631016.IND06.1CIN	16	12	9	4	M08	6.1	5	9
●	Y631020.IND08.1CIN	20	15	11	5	M10	8.1	6	12
●	Y631025.IND08.1CIN	25	18	13	7	M12	8.1	7	34
●	Y631032.IND12.1CIN	32	22	15	7	M16	12.1	7.5	57
●	Y631040.IND15.6CIN	40	28	16	9	M20	15.6	8	103

### Arbel Agencies LTD.



11 Ba'alei Hamelacha st. Qiryat Bialik P.O.B 1095, ZIP 2751311, ISRAEL  
+972(0)48736969 ☎ +972(0)48730708 📠 info@arbel-ltd.com 🌐 www.arbel-ltd.com 🌐

