

# Y508

**NEW**



**C40**



## DIN 508 - T-SHAPED STEEL NUT FOR SLOTS

### Materials:

Steel with class 8 tensile strength.

### Surface finish:

Smooth.

### Colour:

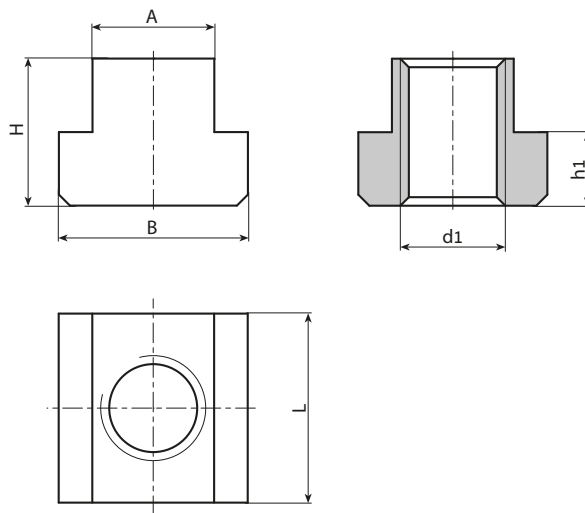
Black-oxide treated.

### Hole:

Threaded through hole (thread tolerance 6H).

### Special requests:

- The product can be supplied with galvanised finish. Replace the "SBM" portion of the code with "SZM".



Stock availability as % (🛒)  
90% (●) - 40% (●) - 5% (●)

art.	A-0,3/+0,5	B-0,5	L-0,5	h1-0,5	H	T slot DIN508	d16H	g
Y508005.SBM0408	5	9	9	3	5,5	5	M4	2
Y508006.SBM0508	6	10	10	4	8	6	M5	4
Y508008.SBM0608	8	13	13	6	10	8	M6	8
Y508010.SBM0808	9,5	16	20	6,5	12	10	M8	12
Y508012.SBM1008	12	19	22	6,5	12	12	M10	20
Y508014.SBM1208	14	22	26	8	16	14	M12	34
Y508015.SBM1208	15	23,5	28	8	16	15	M12	47
Y508018.SBM1608	18	28	30	10,5	20	18	M16	62
Y508022.SBM2008	22	35	39	14,5	27	22	M20	149
Y508028.SBM2408	27	41	42,5	17	33,5	28	M24	314
Y508036.SBM3008	35	53	53	22,5	44	36	M30	586



Arbel Agencies LTD.  
11 Ba'alei Hamelacha st. Qiryat Bialik P.O.B 1095, ZIP 2751311, ISRAEL  
+972(0)48736969 ☎ +972(0)48730708 📠 info@arbel-ltd.com 🌐 www.arbel-ltd.com 🌐

