

Y319

DIN 6319 ed. 10/01 - STEEL CONVEX C DESIGN WASHER



Materials:

Y319

Case-hardened steel.

Y319PIN:

Stainless steel (Aisi 303).

Surface finish:

Y319

Smooth, case-hardened.

Y319PIN:

Natural, untreated.

Colour:

Y319

Standard black-oxide treatment.

Y319PIN:

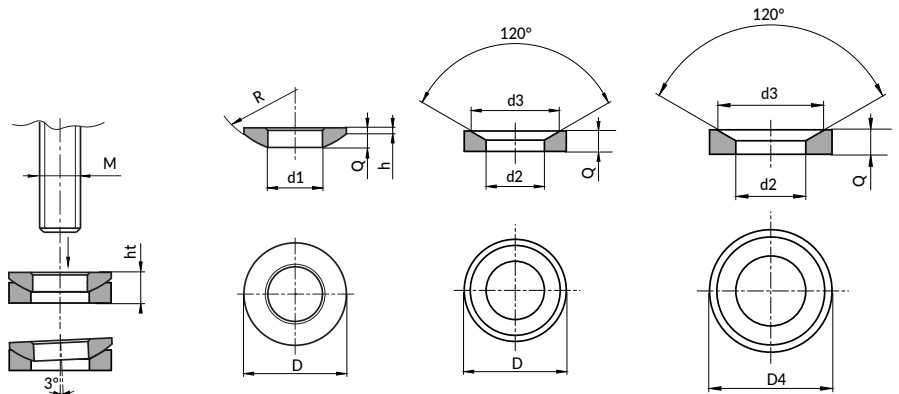
Natural.

Special requests:

- None.

Notes:

Attention: convex washer Y319 must be used with concave washer Y320 or Y321 (to be ordered separately).



Forma C
Y319

Forma D
Y320

Forma G
Y321



Stock availability as % (🛒)
90% (●) - 40% (●) - 5% (●)

Version DIN 6319 C Design - black-oxide treated steel convex washer

| 🛒 | Art. | D | R | h | d1H13 | M | Q | Max. permissible static load kN | g |
|---|-----------------|------|-----|-----|-------|-----|------|------------------------------------|------|
| ● | Y319010.SD05.25 | 10.5 | 7.5 | 0.4 | 5.25 | M05 | 2 | - | 0.7 |
| ● | Y319012.SD06.4 | 12 | 9 | 0.7 | 6.4 | M06 | 2.3 | 9 | 1 |
| ● | Y319017.SD08.4 | 17 | 12 | 0.6 | 8.4 | M08 | 3.2 | 17 | 2.8 |
| ● | Y319021.SD10.5 | 21 | 15 | 0.8 | 10.5 | M10 | 4 | 26 | 5 |
| ● | Y319024.SD13 | 24 | 17 | 1.1 | 13 | M12 | 4.6 | 38 | 8 |
| ● | Y319028.SD15 | 28 | 22 | 1.2 | 15 | M14 | 5 | 53 | 11 |
| ● | Y319030.SD17 | 30 | 22 | 1.3 | 17 | M16 | 5.3 | 73 | 13 |
| ● | Y319036.SD21 | 36 | 27 | 2 | 21 | M20 | 6.3 | 117 | 23 |
| ● | Y319044.SD25 | 44 | 32 | 2.4 | 25 | M24 | 8.2 | 168 | 21 |
| ● | Y319056.SD31 | 56 | 41 | 3.6 | 31 | M30 | 11.2 | 269 | 103 |
| ● | Y319068.SD37 | 68 | 50 | 4.6 | 37 | M36 | 14 | 394 | 188 |
| ● | Y319078.SD43 | 78 | 58 | 6.5 | 43 | M42 | 17 | 542 | 316 |
| ● | Y319092.SD50 | 92 | 67 | 8 | 50 | M48 | 21 | 714 | 549 |
| ● | Y319103.SD58 | 103 | 79 | 9.5 | 58 | M56 | 23 | - | 748 |
| ● | Y319120.SD66 | 120 | 93 | 12 | 66 | M64 | 27 | - | 1239 |

Version DIN 6319 C Design - stainless steel (Aisi 303) convex washer



| 🛒 | Art. | D | R | h | d1H13 | M | Q | Max. permissible static load kN | g |
|---|-------------------|----|----|-----|-------|-----|------|------------------------------------|-----|
| ● | Y319012.ID06.4PIN | 12 | 9 | 0.7 | 6.4 | M06 | 2.3 | 6 | 1 |
| ● | Y319017.ID08.4PIN | 17 | 12 | 0.6 | 8.4 | M08 | 3.2 | 12 | 2.8 |
| ● | Y319021.ID10.5PIN | 21 | 15 | 0.8 | 10.5 | M10 | 4 | 16 | 5 |
| ● | Y319024.ID13PIN | 24 | 17 | 1.1 | 13 | M12 | 4.6 | 24 | 7 |
| ● | Y319030.ID17PIN | 30 | 22 | 1.3 | 17 | M16 | 5.3 | 45 | 13 |
| ● | Y319036.ID21PIN | 36 | 27 | 2 | 21 | M20 | 6.3 | 71 | 24 |
| ● | Y319044.ID25PIN | 44 | 32 | 2.4 | 25 | M24 | 8.2 | 105 | 44 |
| ● | Y319056.ID31PIN | 56 | 41 | 3.6 | 31 | M30 | 11.2 | 191 | 106 |
| ● | Y319068.ID37PIN | 68 | 50 | 4.6 | 37 | M36 | 14 | - | 194 |
| ● | Y319078.ID43PIN | 78 | 58 | 6.5 | 43 | M42 | 17 | - | 311 |
| ● | Y319092.ID50PIN | 92 | 67 | 8 | 50 | M48 | 21 | - | 550 |