

Y099



DIN 99 - L and N DESIGN - STEEL FIXED LEVER WITH TAPER ARM

Materials:

Turned free-cutting steel body.

Surface finish:

Fine turned finish.

Colour:

Black-oxide treated.

Hole:

version VBM:

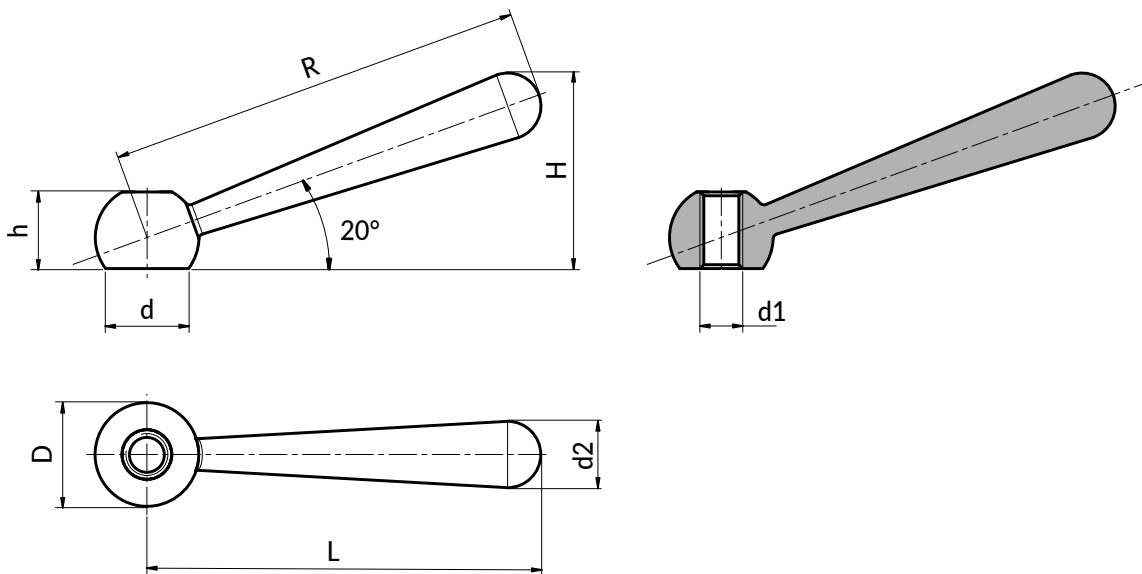
Threaded through hole (thread tolerance 6H).

version VBD:

Smooth through hole (hole tolerance 7H).

Special requests:

- None.



Version Y099 VBM - N Design with threaded hole

Stock availability as % (🛒)
90% (●) - 40% (●) - 5% (●)

art.	R	L	D	d	d2	h	H	d1 _{6H}	g
Y099063.VBM08	63	60	16	12.5	10	12	30	M8	36
Y099080.VBM10	80	76	20	16	13	14.5	38	M10	74
Y099100.VBM12	100	95	25	20	16	18.5	47	M12	141
Y099125.VBM16	125	119	32	25	20	24	59.5	M16	278
Y099160.VBM20	160	152	40	31	25	30	75.5	M20	564

Version Y099 VBD - L Design with smooth hole

art.	R	L	D	d	d2	h	H	d1 _{H7}	g
Y099063.VBD08	63	60	16	12.5	10	12	30	08	36
Y099080.VBD10	80	76	20	16	13	14.5	38	10	74
Y099100.VBD12	100	95	25	20	16	18.5	47	12	141
Y099125.VBD16	125	119	32	25	20	24	59.5	16	278
Y099160.VBD20	160	152	40	31	25	30	75.5	20	564

