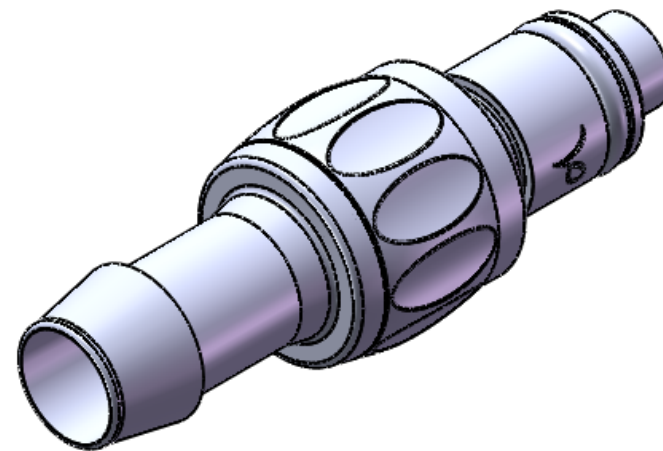
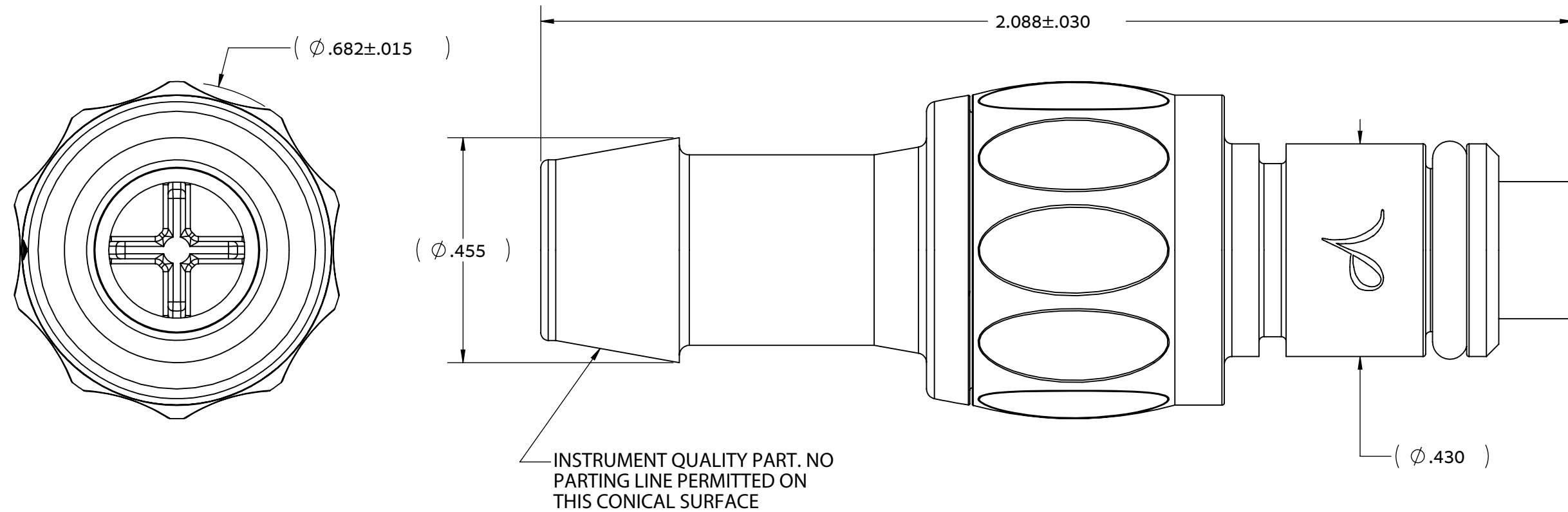


REVISIONS			
REV.	DESCRIPTION	DATE	APPROVED
C	PRODUCTION RELEASE	06-01-07	S.N.R
D	ECO063 ADDED POLYPROPYLENE (-6006) MATERIAL	10-19-07	S.N.R
E	ECO080	06-04-08	S.N.R
F	ECO 093	11-5-08	S.N.R
G	ECO 111	06-01-09	S.N.R



NOTES: FOR MORE DETAILS SEE YOUR V.P. SERVICE REP.

UNLESS OTHERWISE SPECIFIED DIMENSIONS ARE IN INCHES TOLERANCES ARE:		VALUE PLASTICS, INC		
FRACTIONS DECIMAL ANGULAR ± .XX ± .01 ± 1° ± .XXX ± .005 ± .XXXX ± .001		PART NUMBER: XQCVM770		
DO NOT SCALE DRAWING		DESCRIPTION: XQC Series Male Valved Connector, 700 Series Barb, 3/8" (9.5 mm) ID Tubing		
DRAWN BY: Frank.Lombardi	DATE: 6/1/2009	SIZE: B	SCALE: NTS	DWG. NO. 1010108
NEW PRODUCT DEVELOPMENT MGR: R. Narayanan		2007 VALUE PLASTICS, INC		REV G
				SHEET: 1 OF 1

FOR REFERENCE ONLY