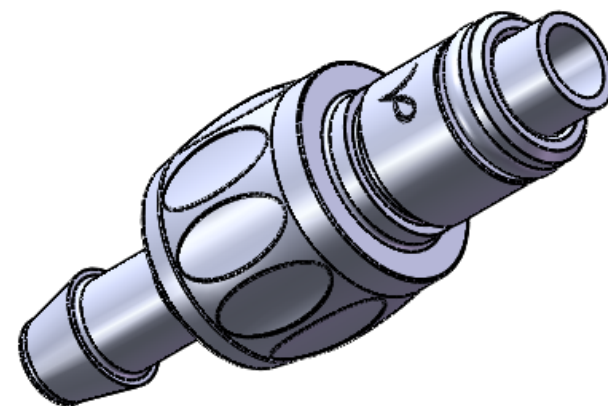
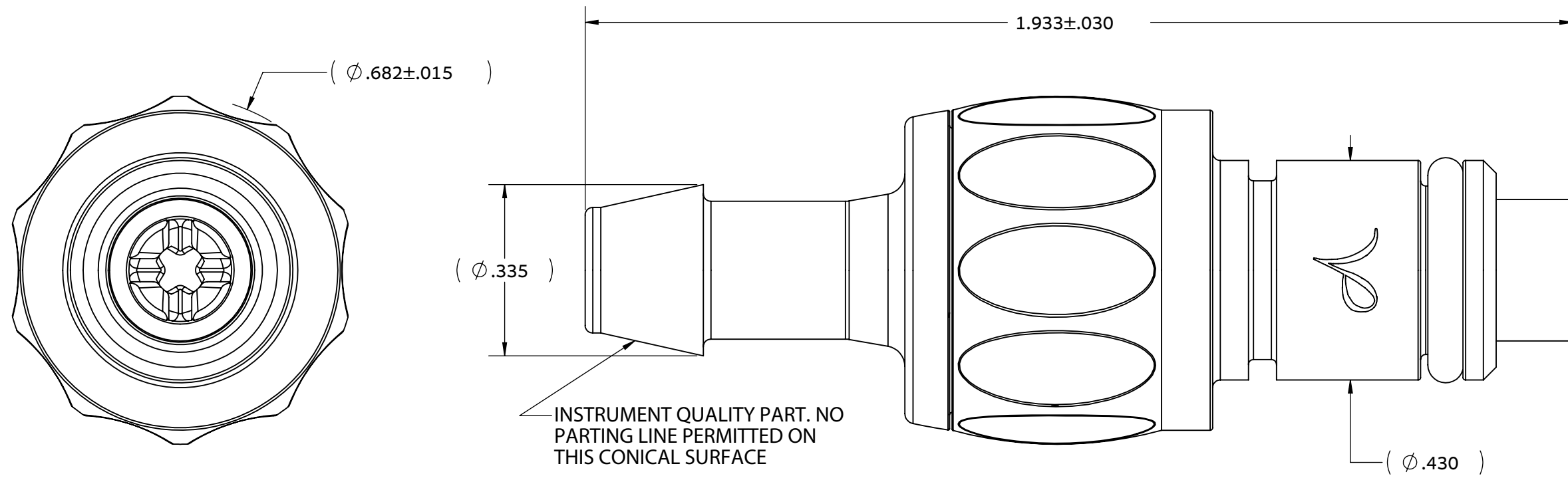


REVISIONS			
REV.		DATE	APPROVED
C	PRODUCTION RELEASE	06-01-07	S.N.R
D	ECO063 ADDED POLYPROPYLENE (-6006) MATERIAL	10-19-07	S.N.R
E	ECO079 & ECO080	07-25-08	S.N.R
F	ECO 111	06-01-09	S.N.R



NOTES: FOR MORE DETAILS SEE YOUR V.P. SERVICE REP.

UNLESS OTHERWISE SPECIFIED DIMENSIONS ARE IN INCHES TOLERANCES ARE:		<b>VALUE PLASTICS, INC</b> R. Narayanan		
FRACTIONS	DECIMAL			
± .XX	± .01			
± .XXX	± .005			
± .XXXX	± .001			
DO NOT SCALE DRAWING		PART NUMBER: <b>XQCVM755</b>		
		DESCRIPTION: Quick Disconnect Straight Through Male Shutoff Style w/ 700 Series Barbs, 1/4" (6.35 mm) ID Tubing		
DRAWN BY: <b>Frank.Lombardi</b>	DATE: <b>6/1/2009</b>	SIZE: <b>B</b>	SCALE: <b>NTS</b>	DWG. NO. <b>1010109</b>
NEW PRODUCT DEVELOPMENT MGR: <b>R. Narayanan</b>		2007 VALUE PLASTICS, INC		REV <b>F</b>
			SHEET: <b>1 OF 1</b>	

**FOR REFERENCE ONLY**