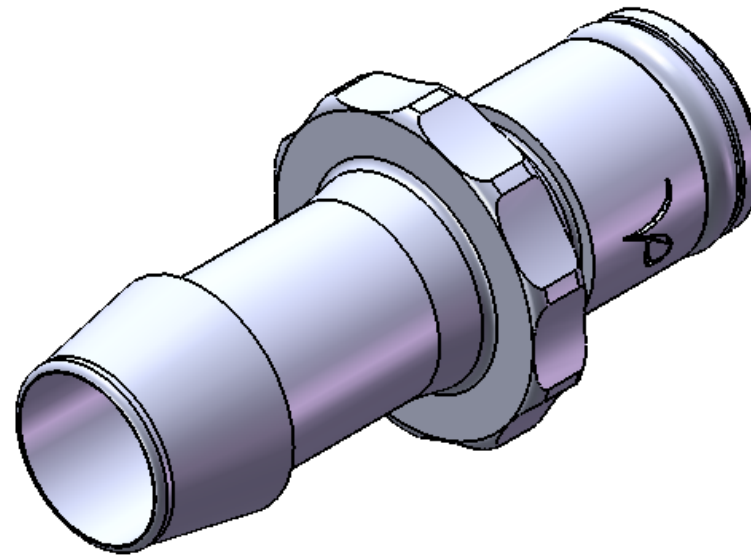
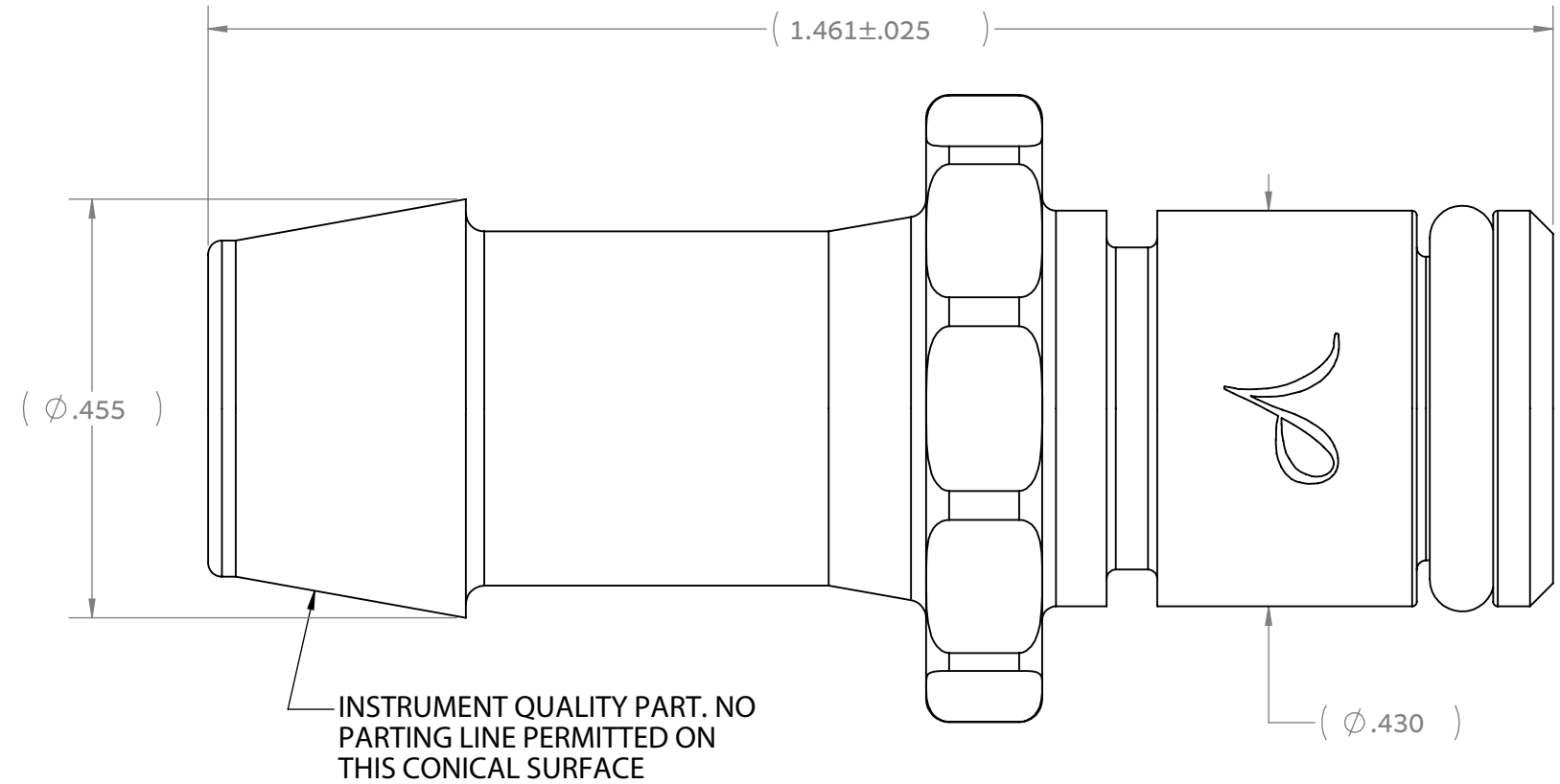
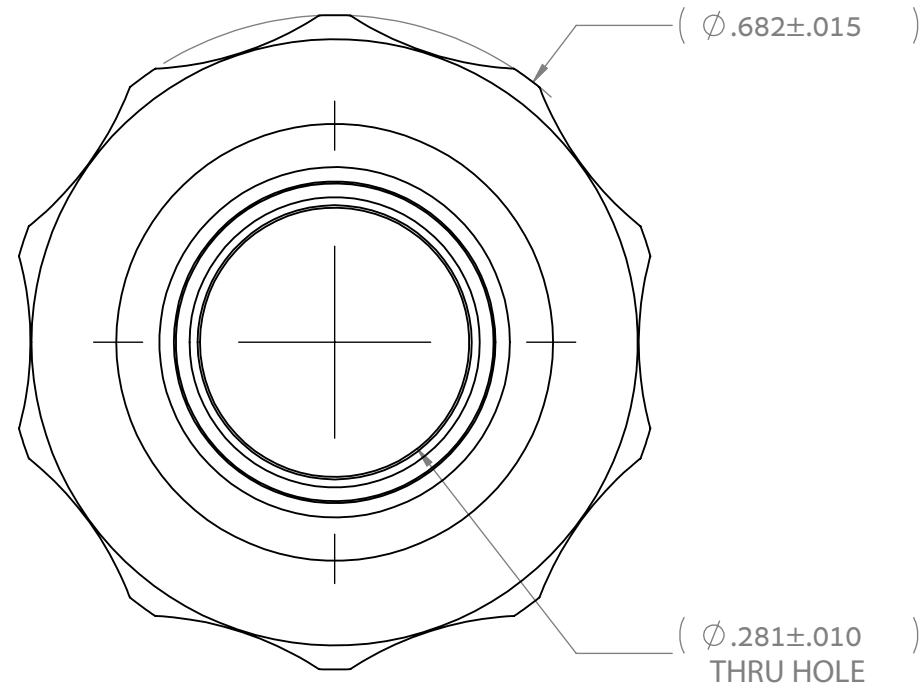


REVISIONS			
REV.		DATE	APPROVED
A	INITIAL RELEASE	06-11-08	S.N.R



NOTES: FOR MORE DETAILS SEE YOUR V.P. SERVICE REP.

UNLESS OTHERWISE SPECIFIED DIMENSIONS ARE IN INCHES TOLERANCES ARE:  FRACTIONS DECIMAL ANGULAR ± .XX ±.01 ± 1° ± .XXX ±.005 ± .XXXX ±.001  DO NOT SCALE DRAWING		<b>VALUE PLASTICS, INC</b>			
DRAWN BY: <b>Frank.Lombardi</b>		DATE: <b>6/11/2008</b>		SIZE: <b>B</b>	SCALE: <b>NTS</b>
NEW PRODUCT DEVELOPMENT MGR: <b>R. Narayanan</b>		DWG. NO. <b>1010110</b>		REV <b>A</b>	
2007 VALUE PLASTICS, INC				SHEET: <b>1 OF 1</b>	
		PART NUMBER: <b>XQCM770</b>			
		DESCRIPTION: <b>XQC Series Male Open Flow Connector, 700 Series Barb, 3/8" (9.5 mm) ID Tubing</b>			

**FOR REFERENCE ONLY**