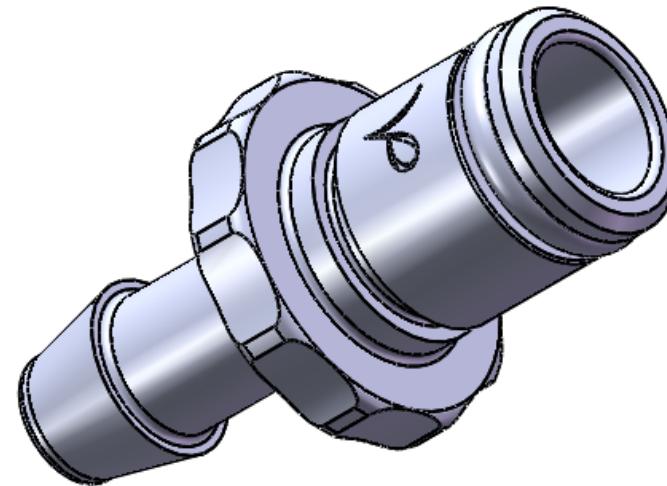
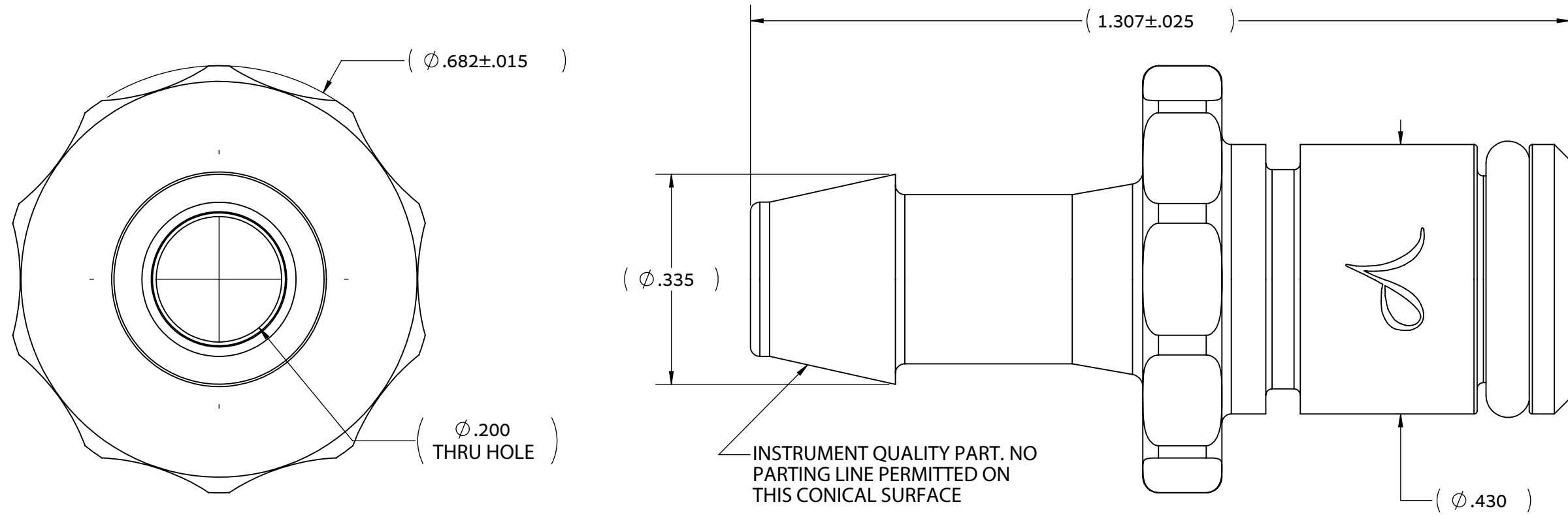


REVISIONS			
REV.	DESCRIPTION	DATE	APPROVED
A	INITIAL RELEASE	06-11-08	S.N.R
B	ECO 125	05-19-09	S.N.R



NOTES: FOR MORE DETAILS SEE YOUR V.P. SERVICE REP.

UNLESS OTHERWISE SPECIFIED DIMENSIONS ARE IN INCHES TOLERANCES ARE:		VALUE PLASTICS, INC			
FRACTIONS DECIMAL ANGULAR ± .XX ± .01 ± 1° ± .XXX ± .005 ± .XXXX ± .001		PART NUMBER: XQCM755			
DO NOT SCALE DRAWING		DESCRIPTION: XQC Series Male Open Flow Connector, 700 Series Barb, 1/4" (6.4 mm) ID Tubing			
DRAWN BY: Frank.Lombardi	DATE: 5/19/2009	SIZE: B	SCALE: NTS	DWG. NO. 1010111	REV B
NEW PRODUCT DEVELOPMENT MGR: R. Narayanan		2007 VALUE PLASTICS, INC			SHEET: 1 OF 1

FOR REFERENCE ONLY