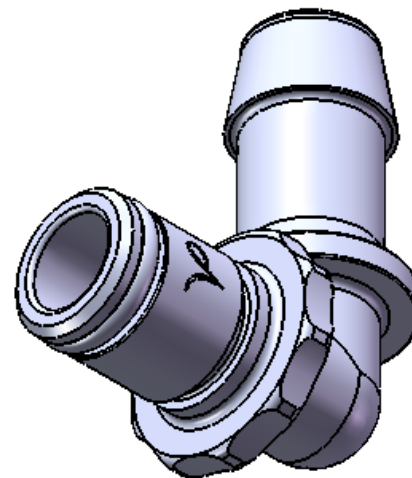
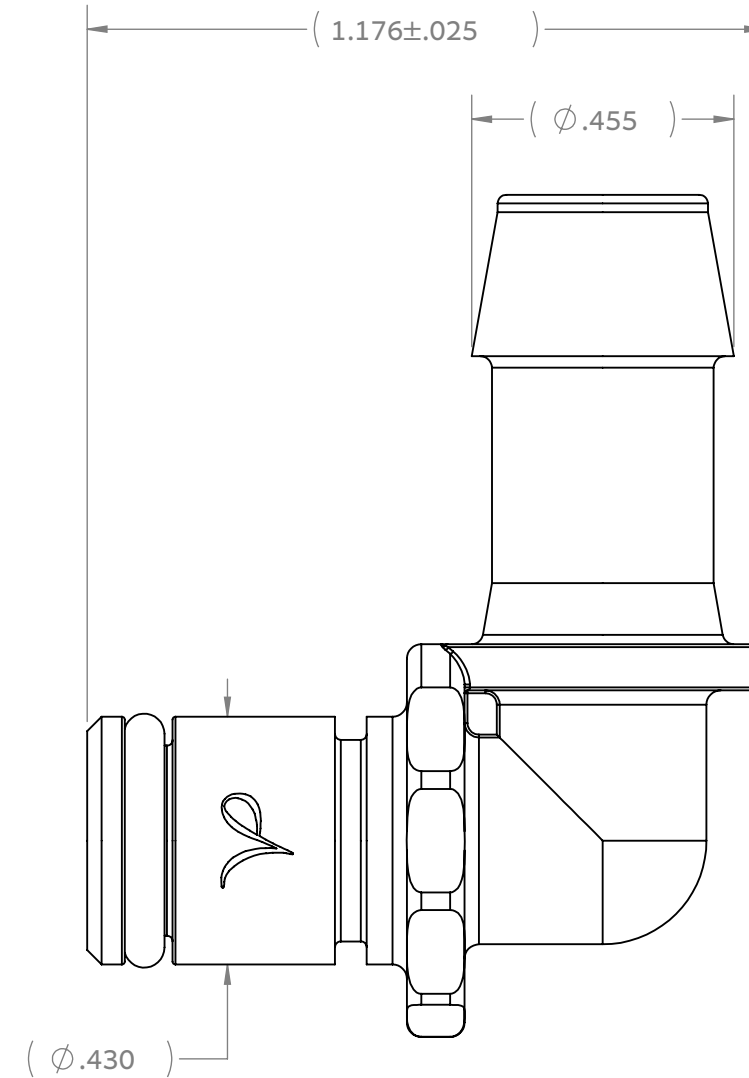
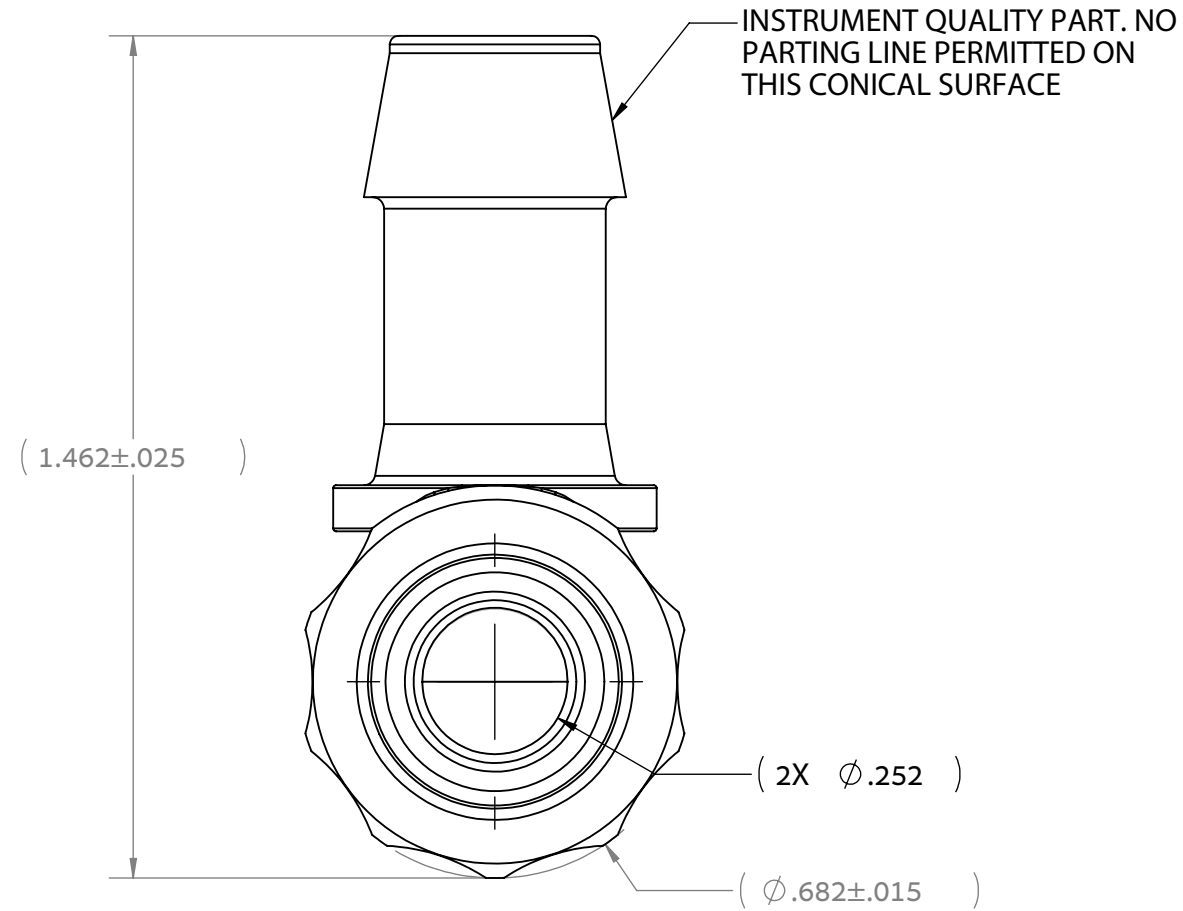


REVISIONS			
REV.		DATE	APPROVED
A	INITIAL RELEASE	06-11-08	S.N.R



NOTES: FOR MORE DETAILS SEE YOUR V.P. SERVICE REP.

UNLESS OTHERWISE SPECIFIED DIMENSIONS ARE IN INCHES TOLERANCES ARE: FRACTIONS DECIMAL ANGULAR ± .XX ±.01 ± 1° ± .XXX ±.005 ± .XXXX ±.001 DO NOT SCALE DRAWING		VALUE PLASTICS, INC			
DRAWN BY: Frank.Lombardi		DATE: 6/12/2008		PART NUMBER: XQCLM770	
NEW PRODUCT DEVELOPMENT MGR: R. Narayanan		SIZE: B	SCALE: NTS	DWG. NO. 1010827	REV A
2007 VALUE PLASTICS, INC				SHEET: 1 OF 1	

FOR REFERENCE ONLY