

W912



KNOB WITH STEEL INDEXING PLUNGER AND LONG NOSE PIN

Materials:

- (3) Stainless steel spring (Aisi 301).
- (4) Reinforced polyamide lobed knob. Cannot be disassembled. Resistant to oils and greases.

W912:

- (2) Threaded high-resistance steel hexagon ring nut.
- (1) Hardened high resistance steel plunger pin.

W912CIN:

- (2) Threaded stainless steel hexagon ring nut (Aisi 303).
- (1) Stainless steel plunger pin (Aisi 303).

Surface finish:

- (4) Satin.
- (1-2-3) Smooth.

Colour:

- (4) Black (RAL 9011).

W912:

- (1-2) Black-oxide treated.

W912CIN:

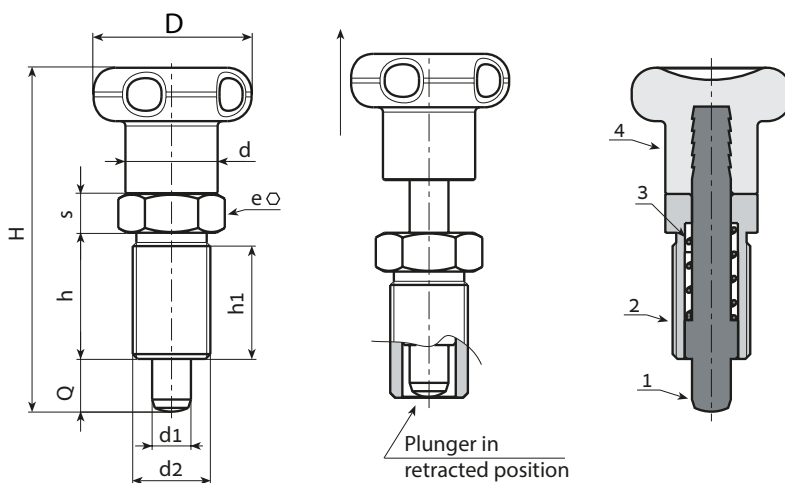
- (1-2) Natural.

ATTENTION:

- > We recommend an H7 tolerance for the plunger stem bore.

Special Requests:

- On request and for special quantities the knob can be supplied in the colours indicated in the table [page].



Version W912 - black-oxide treated steel

Stock availability as % (🛒)
90% (●) - 40% (●) - 5% (●)

🛒	Art.	D	H	h	h1	d2	d	e	s	d1 -0,02 -0,04	Q	g
●	W912010.Q05X0801	22	48	17	15	M10x1	12	12	5	5	8	19
●	W912012.Q06X0901	27	57	20	18	M12x1,5	14	14	6	6	9	31
●	W912016.Q08X1201	33	72	26	23	M16x1,5	19	19	8	8	12	73
●	W912016.Q10X1201	33	72	26	23	M16x1,5	19	19	8	10	12	74
●	W912020.Q12X1501	33	84	33	30	M20x1,5	19	22	10	12	15	128

Version W912 CIN - stainless steel (Aisi 303)

INOX

🛒	Art.	D	H	h	h1	d2	d	e	s	d1 -0,02 -0,04	Q	g
●	W912010.I05X0801CIN	22	48	17	15	M10x1	12	12	5	5	8	19
●	W912012.I06X0901CIN	27	57	20	18	M12x1,5	14	14	6	6	9	31
●	W912016.I08X1201PIN	33	72	26	23	M16x1,5	19	19	8	8	12	73
●	W912016.I10X1201CIN	33	72	26	23	M16x1,5	19	19	8	10	12	74
●	W912020.I12X1501CIN	33	84	33	30	M20x1,5	19	22	10	12	15	128

Arbel Agencies LTD.



11 Ba'alei Hamelacha st. Qiryat Bialik P.O.B 1095, ZIP 2751311, ISRAEL
+972(0)48736969 ☎ +972(0)48730708 📠 info@arbel-ltd.com 📧 www.arbel-ltd.com 🌐

