

W910

STEEL INDEXING PLUNGER WITH LONG NOSE PIN



Materials:

(3) Stainless steel spring (Aisi 301).

W910:

(2) Threaded high-resistance steel hexagon ring nut.

(1) Hardened high resistance steel plunger pin.

W910CIN:

(2) Threaded stainless steel hexagon ring nut (Aisi 303).

(1) Stainless steel plunger pin (Aisi 303).

Surface finish:

Smooth.

Colour:

W910: Black-oxide treated.

W910CIN: Natural.

ATTENTION:

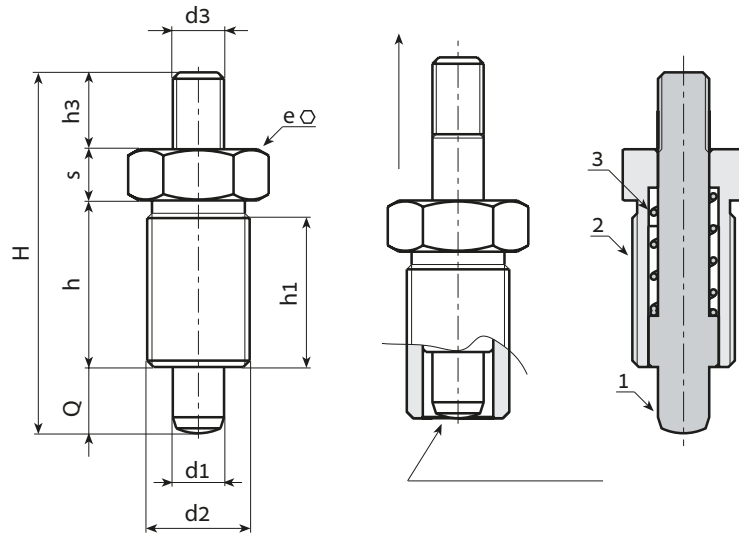
> We recommend an H7 tolerance for the plunger stem bore.

Special Requests:

- None.

Note:

This plunger version can be coupled with any hanwheel with threaded insert, to be ordered separately (see additional pictures).



Version W910 - black-oxide treated steel

Stock availability as % (🛒)
90% (●) - 40% (●) - 5% (●)

🛒	Art.	H	h	h1	d2	d3	h3	e	s	d1 -0,02 -0,04	Q	g
●	W910010.Q05X08	36	17	15	M10x1	M04	6	12	5	5	8	13
●	W910012.Q06X09	45	20	18	M12x1,5	M05	10	14	6	6	9	22
●	W910016.Q08X12	58	26	23	M16x1,5	M08	12	19	8	8	12	54
●	W910016.Q10X12	58	26	23	M16x1,5	M08	12	19	8	10	12	55
●	W910020.Q12X15	70	33	30	M20x1,5	M10	12	22	10	12	15	104

Version W910 CIN - stainless steel (Aisi 303)



🛒	Art.	H	h	h1	d2	d3	h3	e	s	d1 -0,02 -0,04	Q	g
●	W910010.I05X08CIN	36	17	15	M10x1	M04	6	12	5	5	8	13
●	W910012.I06X09CIN	45	20	18	M12x1,5	M05	10	14	6	6	9	22
●	W910016.I08X12CIN	58	26	23	M16x1,5	M08	12	19	8	8	12	54
●	W910016.I10X12CIN	58	26	23	M16x1,5	M08	12	19	8	10	12	55
●	W910020.I12X15CIN	70	33	30	M20x1,5	M10	12	22	10	12	15	104

Arbel Agencies LTD.



11 Ba'alei Hamelacha st. Qiryat Bialik P.O.B 1095, ZIP 2751311, ISRAEL
+972(0)48736969 ☎ +972(0)48730708 📠 info@arbel-ltd.com 📧 www.arbel-ltd.com 🌐

