

W861



THREADED STEEL GRUB SCREW WITH HEAGON SOCKET END AND PLASTIC NOSE PIN

Materials:

W861:

Quenched steel grub screw with strength class 10.9.

W861CIN:

Stainless steel grub screw body (Aisi 303).

Surface finish:

Smooth.

Colour:

W861:

Black-oxide treated.

W861CIN:

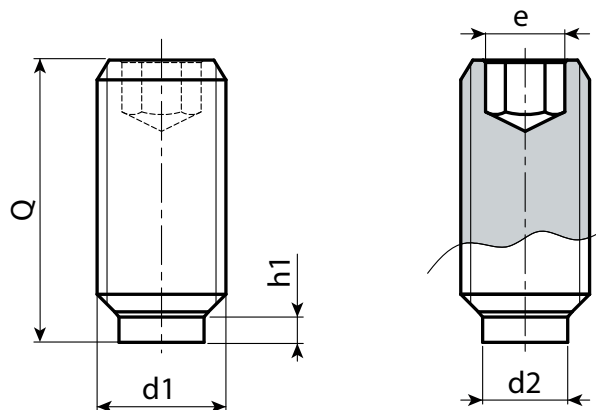
Natural.

Nose pin:

Fixed white plastic cylindrical nose pin (POM-Delrin).

Special requests:

- None.



Version W861: black-oxide treated steel

Stock availability as % (🛒)
90% (●) - 40% (●) - 5% (●)

art.	d1 _{6g}	e	h1	d2	Q	g
W861.SBM04X..	M4	2	1	2	07-09-11-13-17-31	1-1-1-1-2,5
W861.SBM05X..	M5	2.5	1	3	09-11-13-17-21-31	1-1-1-2-3,5
W861.SBM06X..	M6	3	1.3	3.5	11-13-17-21-26-33-41-51	1-1,5-2-3-4-5-6-8
W861.SBM08X..	M8	4	1.6	5	13,5-17,5-21,5-26,5-33,5-51,5	2-4-5-7-11-14
W861.SBM10X..	M10	5	1.9	6.5	18-22-27-34-42-52-62-82	5-7-9-13-16-21-25-34
W861.SBM12X..	M12	6	2.1	8	22-27-34-42-52-62	9-13-18-24-31-40

Enter the selected grub screw length in place of the two dots . . in the item code.



Version W861CIN - stainless steel (Aisi 303)

art.	d1 _{6g}	e	h1	d2	Q	g
W861.INM04X..CIN	M4	2	1	2	07-09-11-13-17	1-1-1-1-1
W861.INM05X..CIN	M5	2.5	1	3	09-11-13-17-21	1-1-1-2-2
W861.INM06X..CIN	M6	3	1.3	3.5	11-13-17-21-26	1-1,5-2-3-4
W861.INM08X..CIN	M8	4	1.6	5	13,5-17,5-21,5-26,5	2-4-5-7
W861.INM10X..CIN	M10	5	1.9	6.5	18-22-27-37	5-7-9-14
W861.INM12X..CIN	M12	6	2.1	8	22-32-42	9-18-24

Enter the selected grub screw length in place of the two dots . . in the item code.

Arbel Agencies LTD.



11 Ba'alei Hamelacha st. Qiryat Bialik P.O.B 1095, ZIP 2751311, ISRAEL
+972(0)48736969 ☎ +972(0)48730708 📠 info@arbel-ltd.com 📧 www.arbel-ltd.com 🌐

