

W860



C40

Aisi 303

OT

RoHS COMPLIANT

THREADED STEEL GRUB SCREW WITH HEAGON SOCKET END AND BRASS NOSE PIN

Materials:

W860:

Quenched steel grub screw body with strength class 10.9.

W860CIN:

Stainless steel grub screw body (Aisi 303).

Surface finish:

Smooth.

Colour:

W860:

Black-oxide treated.

W860CIN:

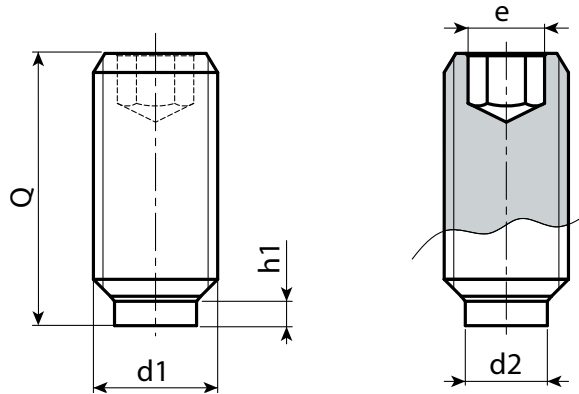
Natural.

Nose pin:

Fixed brass cylindrical nose pin.

Special requests:

- None.



Version W860: black-oxide treated steel



Stock availability as % (🛒)
90% (●) - 40% (●) - 5% (●)

art.	d1 _{6g}	e	h1	d2	Q	g
W860.SBM04X..	M4	2	1.2	2.5	06,5-10,5-16,5-30,5	1-1-1,5-2
W860.SBM05X..	M5	2.5	1.3	3	08,5-12,5-20,5-30,5	1-1,5-2,5-4
W860.SBM06X..	M6	3	1.9	4	11,5-17,5-26,5-41,5	2-2,5-4-6,5
W860.SBM08X..	M8	4	2.5	5.5	12-22-32-52	3,5-6-8,5-14
W860.SBM10X..	M10	5	2.7	7	14-18-27-37-52	5,5-7-11,5-16,5-25
W860.SBM12X..	M12	6	3.4	8.5	18.5-22.5-32.5-42.5-52.5	10,5-13-20-29-38

Enter the selected grub screw length in place of the two dots . . in the item code.

Version W860CIN - stainless steel (Aisi 303)

INOX

art.	d1 _{6g}	e	h1	d2	Q	g
W860.INM04X..CIN	M4	2	1.2	2.5	06,5-10,5-16,5	1-1-1,5
W860.INM05X..CIN	M5	2.5	1.3	3	08,5-12,5-20,5	1-1,5-2,5
W860.INM06X..CIN	M6	3	1.9	4	11,5-17,5-26,5	2-2,5-4
W860.INM08X..CIN	M8	4	2.5	5.5	12-22-32	3,5-6-8,5
W860.INM10X..CIN	M10	5	2.7	7	14-18-27-37	5,5-7-11,5-16,5
W860.INM12X..CIN	M12	6	3.4	8.5	22.5-32.5-42.5	12,5-20-29

Enter the selected grub screw length in place of the two dots . . in the item code.



Arbel Agencies LTD.

11 Ba'alei Hamelacha st. Qiryat Bialik P.O.B 1095, ZIP 2751311, ISRAEL
+972(0)48736969 ☎ +972(0)48730708 📠 info@arbel-ltd.com 📧 www.arbel-ltd.com 🌐

