

W852



THREADED STEEL GRUB SCREW WITH HEAGON SOCKET END AND FLATTENED KNURLED BALL POINT

Materials:

Quenched steel grub screw body with strength class 10.9.

Surface finish:

Smooth.

Colour:

Nose pin:

Natural

Grub screw body:

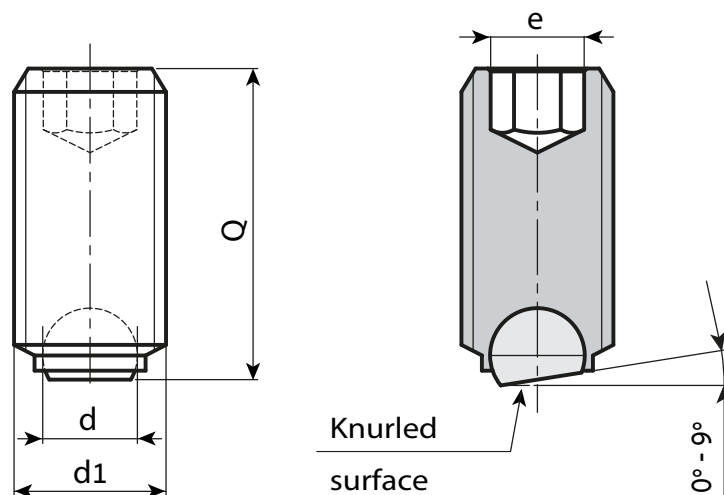
Black-oxide treated.

Ball:

Flattened knurled hardened stainless steel ball (Aisi 420). Optimal angle adjustment between 0° and 9°. The ball is not fixed, it can rotate.

Special requests:

- None.



Stock availability as % (🛒)
90% (●) - 40% (●) - 5% (●)

art.	d1 _{6g}	e	d	Q	g
W852.SBM10X..	M10	5	7	12-16-20-25-35	5-7-9-11-16
W852.SBM12X..	M12	6	8.5	16-20-30-40	10-12,5-20-28,5
W852.SBM16X..	M16	8	12	20-25-35-50	22-28-41-48

Enter the selected grub screw length in place of the two dots . . in the item code.



Arbel Agencies LTD.

11 Ba'alei Hamelacha st. Qiryat Bialik P.O.B 1095, ZIP 2751311, ISRAEL
+972(0)48736969 ☎ +972(0)48730708 📠 info@arbel-ltd.com 🌐 www.arbel-ltd.com 🌐

